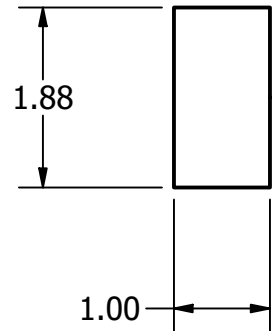
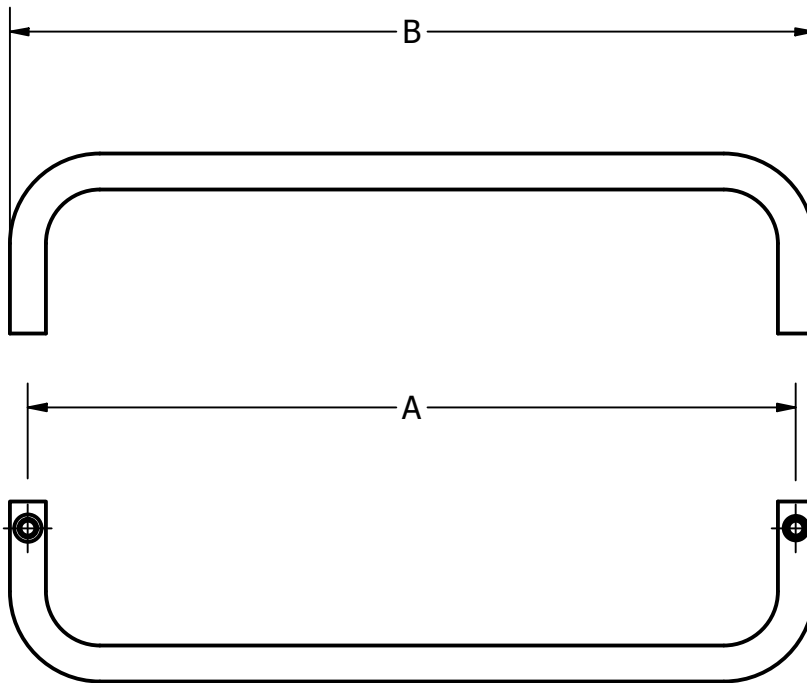
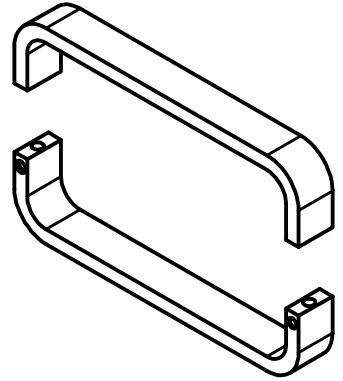




Trimco[®]
SINCE 1949

PRODUCT:

1139 GRIP - G MOUNT



SUPPLIED WITH TWO (2) 1/4-20 SHOULDER BOLTS AND FOUR (4) 10-32 SET SCREWS

PART NUMBER	DIM A	DIM B
1139-1G	6.00	6.375
1139-2G	8.00	8.375

TEMPLATE# 17964

SHEET

1 OF 1

REVISION# 1

This template is provided for use only on the job for which it was requested. Trimco reserves the right to make design changes without notice. Trimco will not be responsible for errors or damage caused by the use of out-of-date templates.

TRIANGLE BRASS MANUFACTURING
1351 ROCKY POINT DRIVE
OCEANSIDE, CA 92056
WWW.TRIMCOHARDWARE.COM

APPROVED ON: 2/2/2023