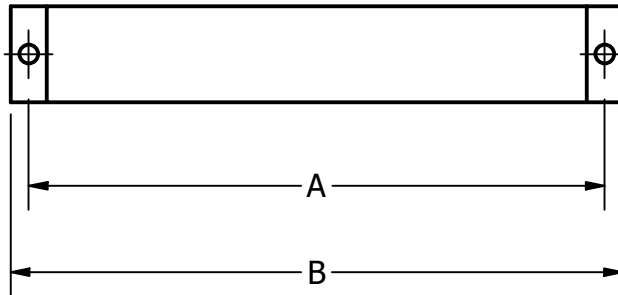
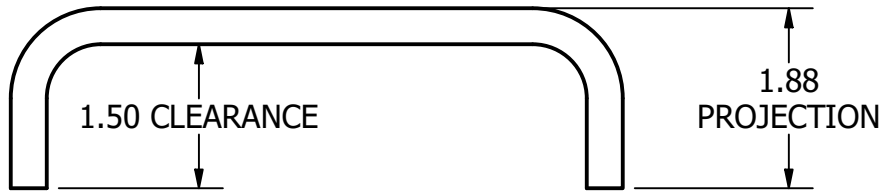
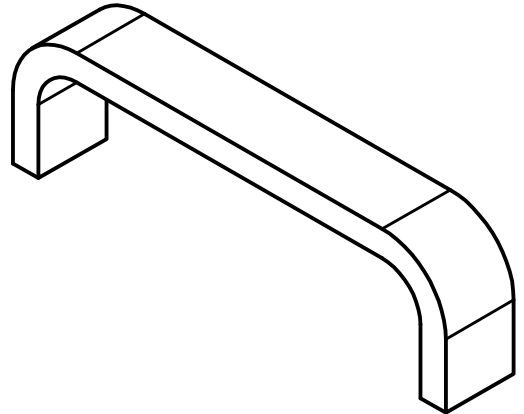




**Trimco**  
SINCE 1949

**PRODUCT:**

1139 PULL, E MOUNT



SUPPLIED WITH TWO (2) 1/4-20 FLAT HEAD, PHILIPS DRIVE MACHINE SCREWS  
AND TWO (2) 1/4 FINISH WASHERS.

PART NUMBER	DIM A	DIM B
1139-1E	6.00	6.375
1139-2E	8.00	8.375

**TEMPLATE#** 17961

**SHEET**

**1 OF 1**

**REVISION#** 1

APPROVED ON: 2/2/2023

This template is provided for use only on the job for which it was requested. Trimco reserves the right to make design changes without notice. Trimco will not be responsible for errors or damage caused by the use of out-of-date templates.

TRIANGLE BRASS MANUFACTURING  
1351 ROCKY POINT DRIVE  
OCEANSIDE, CA 92056  
WWW.TRIMCOHARDWARE.COM