



Trimco®

SINCE 1949

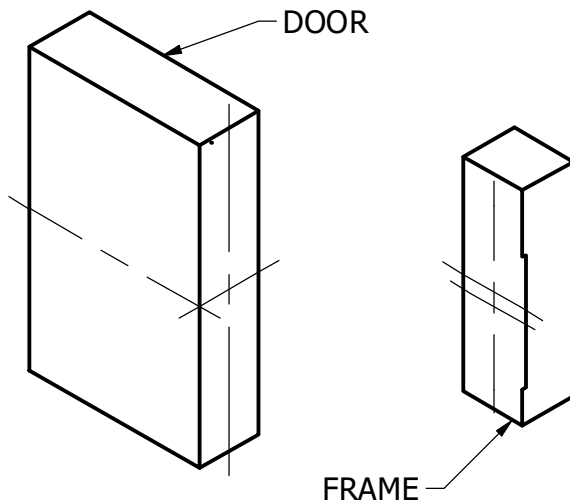
TRIANGLE BRASS MANUFACTURING
1351 ROCKY POINT DRIVE, OCEANSIDE, CA 92056
WWW.TRIMCOHARDWARE.COM
CSR@TRIMCOHARDWARE.COM
323.262.4191

OVERVIEW

INSTALLATION GUIDE FOR 9 SERIES, ESCUTCHEON TRIM LOCK SETS. FOR TEMPLATES ON MORTISE LOCKS, SEE TEMPLATE# 21761. FOR TEMPLATES ON STRIKES, SEE TEMPLATE# 21690. FOR THE LATEST INSTALLATION GUIDES AND TEMPLATES, SEE OUR WEBSITE. FOR MORE HELP, PLEASE CONTACT CUSTOMER SERVICE.

STEP 1

MARK THE HORIZONTAL CENTERLINE OF THE LOCK ON BOTH SIDES OF THE DOOR AND ON DOOR'S EDGE. DO THE SAME FOR THE STRIKE FRAME.



PART LIST

COMPLETE PART LIST WILL VARY DEPENDING ON WHAT FUNCTION OF 9 SERIES YOU HAVE.

POSSIBLE PARTS INCLUDE:

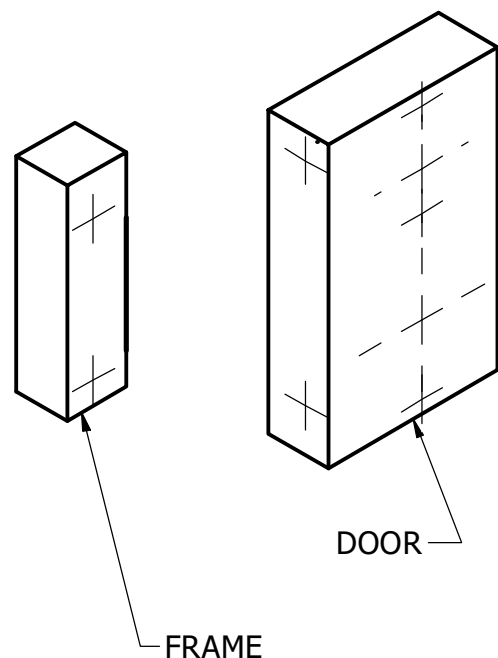
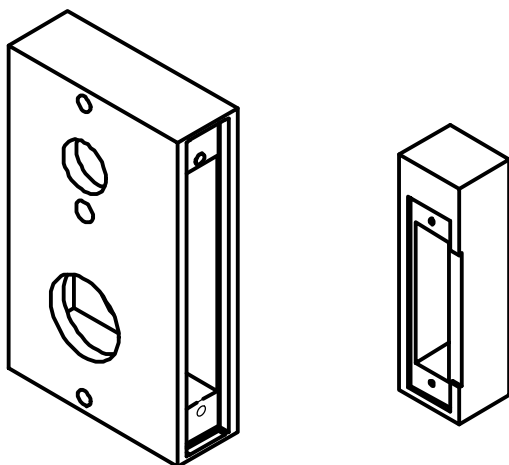
- INTERIOR LEVER ASSEMBLY
- EXTERIOR LEVER ASSEMBLY
- MORTISE LOCK
- LEVER MOUNTING SCREWS
- INDICATOR ASSEMBLY
- MORTISE LOCK COMPONENTS
- LOCK FACE PLATE
- LOCK MOUNTING SCREWS
- THUMB TURN
- COIN TURN
- CYLINDER ASSEMBLY

STEP 2

POSITION THE APPLICABLE TEMPLATE ON THE EDGE AND THE SIDES OF DOOR. MARK HOLES FOR EACH SIDE AND TOP AND BOTTOM HOLES OF MORTISE WHERE APPLICABLE. APPLY STRIKE TEMPLATE TO FRAME AND MARK HOLES NEEDED. MAKE SURE TO NOTE HANDING.

STEP 3

DRILL APPLICABLE HOLES AND MORTISE FOR BOTH LOCK AND STRIKES





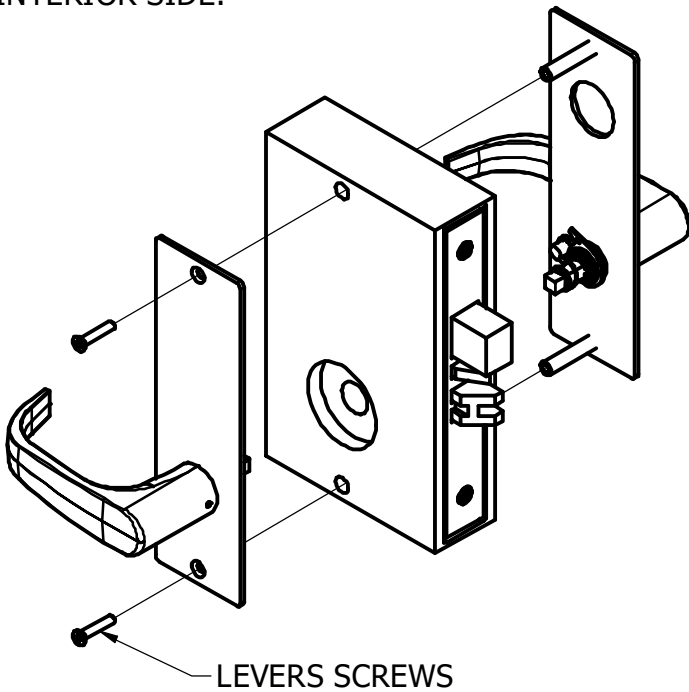
Trimco®

SINCE 1949

TRIANGLE BRASS MANUFACTURING
1351 ROCKY POINT DRIVE, OCEANSIDE, CA 92056
WWW.TRIMCOHARDWARE.COM
CSR@TRIMCOHARDWARE.COM
323.262.4191

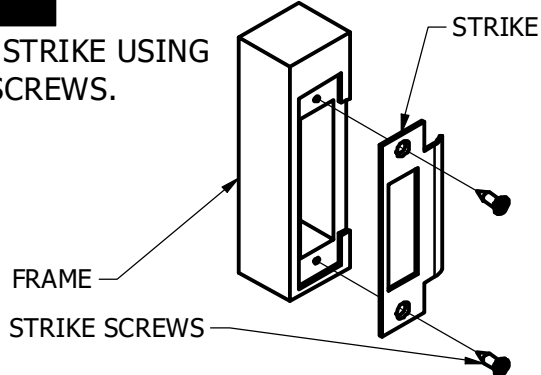
STEP 5

INSTALL LEVERS ON DOOR. HANDLE FACES AWAY FROM LATCH. SCREW SIDE IS ALWAYS ON THE INTERIOR SIDE.



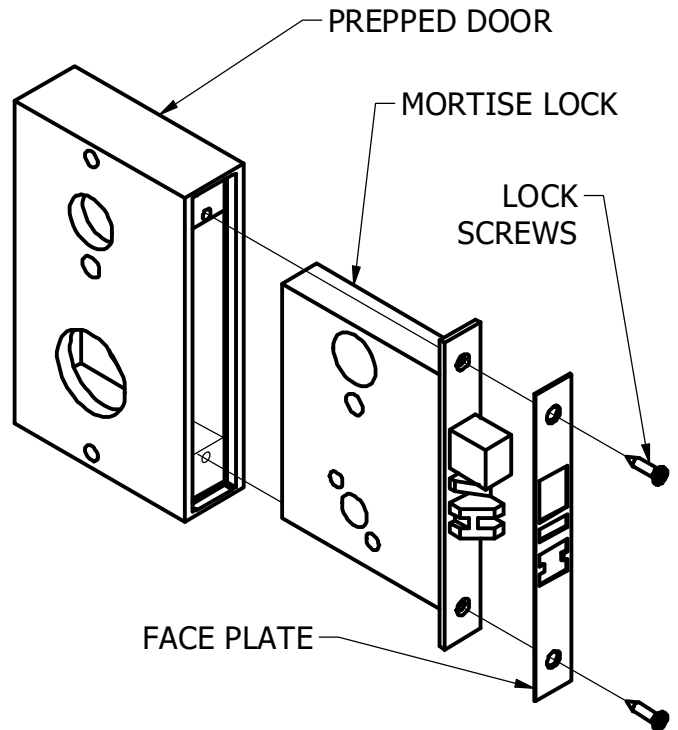
STEP 7

INSTALL STRIKE USING STRIKE SCREWS.



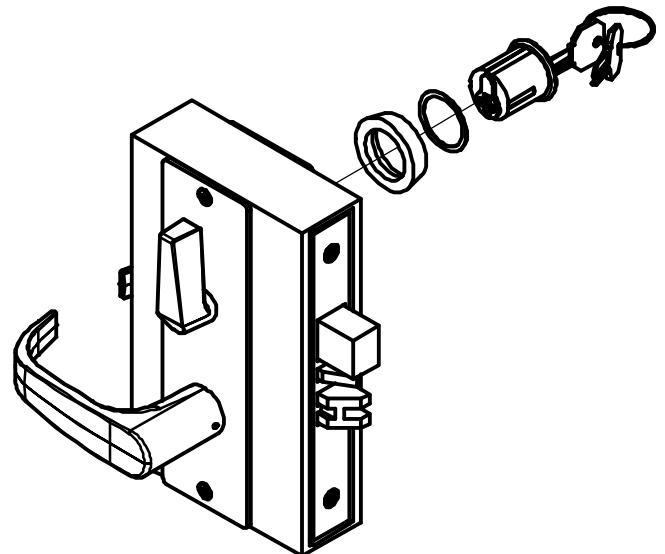
STEP 4

INSTALL MORTISE LOCK WITH FACE PLATE.



STEP 6

INSTALL INDICATOR, CYLINDER ASSEMBLY, OR ANY OTHER ACCESSORIES THAT MAY COME WITH THIS LEVER SET. NOTE - THIS MAY BE SKIPPED OR BE DIFFERENT DEPENDING ON THE FUNCTION YOU HAVE.



NOTE

THIS TEMPLATE IS PROVIDED FOR USE ON THE JOB FOR WHICH IT WAS REQUESTED. TRIMCO RESERVES THE RIGHT TO MAKE DESIGN CHANGES WITHOUT NOTICE. TRIMCO WILL NOT BE RESPONSIBLE FOR ERRORS OR DAMAGE CAUSED BY USE OF OUT-OF-DATE TEMPLATES.