



Trimco®

SINCE 1949

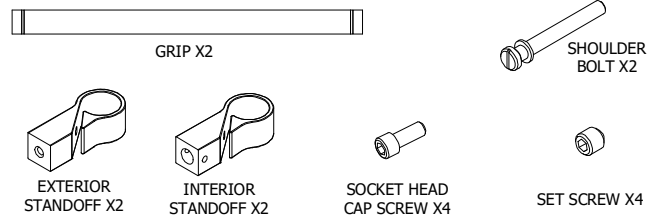
TRIANGLE BRASS MANUFACTURING
1351 ROCKY POINT DRIVE, OCEANSIDE, CA 92056
WWW.TRIMCOHARDWARE.COM
CSR@TRIMCOHARDWARE.COM
323.262.4191

OVERVIEW

STRAIGHT ADJUSTABLE STANDOFF LADDER PULL, G-MOUNT (AP311G) INSTALLATION GUIDE

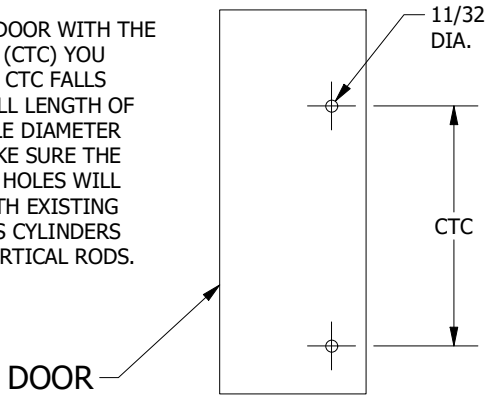
PARTS

MAKE SURE ALL PARTS ARE RECEIVED IN THE QUANTITIES SHOWN.



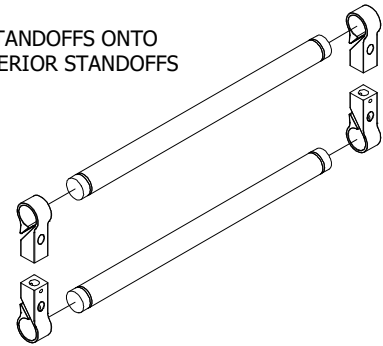
STEP 1

DRILL HOLES INTO DOOR WITH THE CENTER TO CENTER (CTC) YOU DESIRE. MAKE SURE CTC FALLS WITHIN THE OVERALL LENGTH OF THE PULL GRIP. HOLE DIAMETER WILL BE 11/32". MAKE SURE THE ALIGNMENT OF THE HOLES WILL NOT INTERFERE WITH EXISTING HARDWARE SUCH AS CYLINDERS AND CONCEALED VERTICAL RODS.



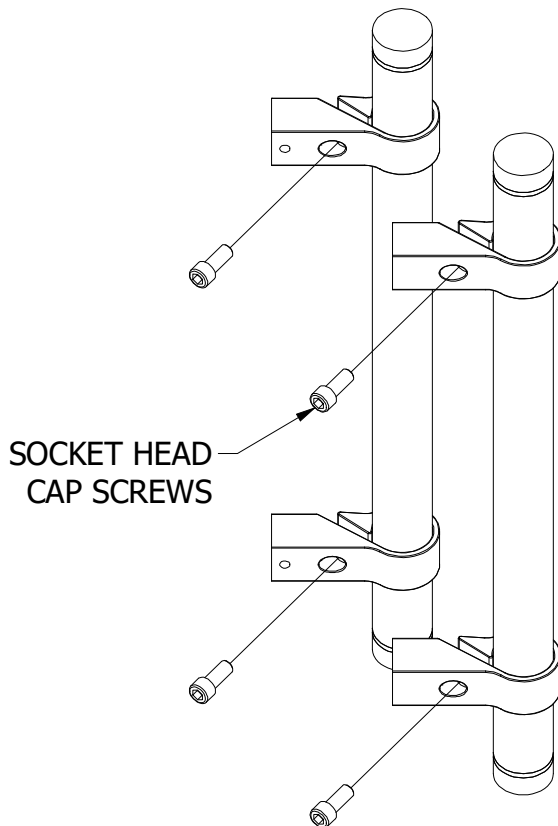
STEP 2

SLIDE BOTH EXTERIOR STANDOFFS ONTO ONE GRIP AND BOTH INTERIOR STANDOFFS ONTO THE OTHER GRIP.



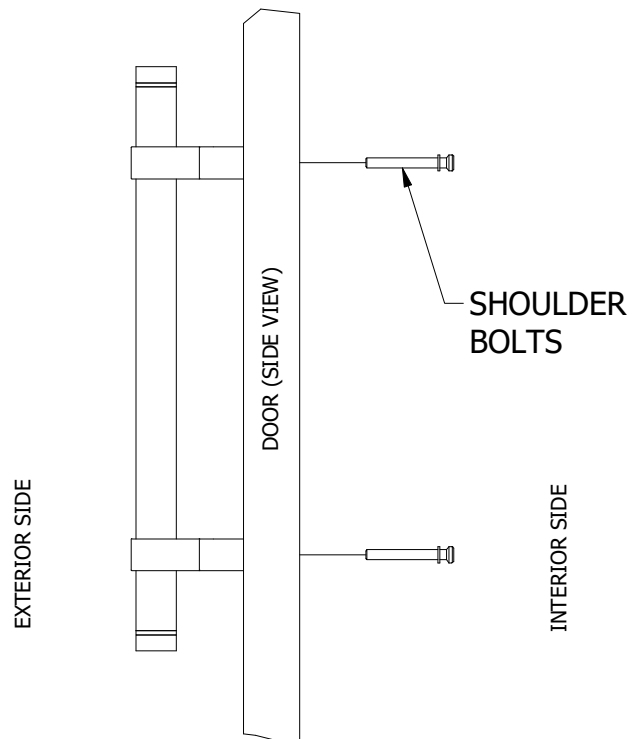
STEP 3

INSERT SOCKET HEAD CAP SCREWS INTO STANDOFFS. DO NOT TIGHTEN IN CASE SMALL ADJUSTMENTS NEED TO BE MADE LATER.



STEP 4

ATTACH EXTERIOR PULL TO DOOR USING SHOULDER BOLTS PROVIDED. FLAT HEAD SCREW DRIVER IS NEEDED (NOT PROVIDED). ADJUST STANDOFFS AS NEEDED IN ORDER TO MAKE SURE ALIGNMENT IS CORRECT. TIGHTEN SOCKET HEAD CAP SCREWS ONCE STANDOFFS ARE IN PLACE.





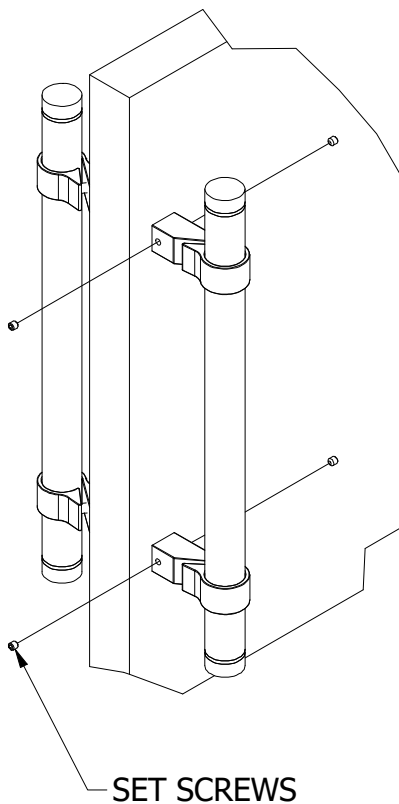
Trimco®

SINCE 1949

TRIANGLE BRASS MANUFACTURING
1351 ROCKY POINT DRIVE, OCEANSIDE, CA 92056
WWW.TRIMCOHARDWARE.COM
CSR@TRIMCOHARDWARE.COM
323.262.4191

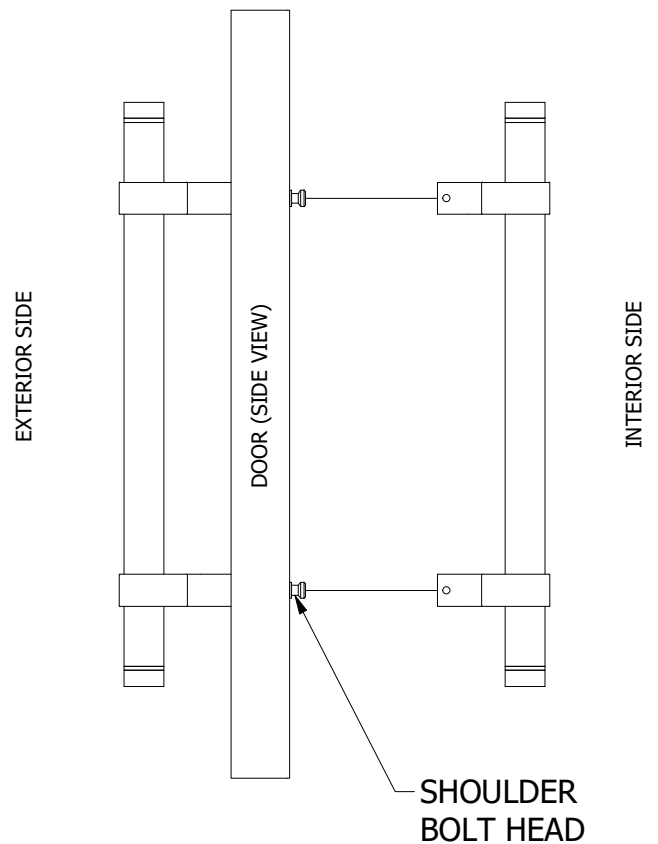
STEP 6

INSERT SET SCREWS INTO STANDOFFS UNTIL INTERIOR PULL IS SECURE AGAINST DOOR.



STEP 5

PLACE INTERIOR PULL STANDOFFS OVER SHOULDER BOLT HEADS. ADJUST STANDOFFS AS NEEDED. TIGHTEN SOCKET HEAD CAP SCREWS ONCE STANDOFFS ARE IN PLACE.



NOTES

- ITEMS SHOWN NOT TO SCALE
- ALL DIMENSIONS IN INCHES UNLESS SPECIFIED
- THIS INSTALLATION GUIDE IS PROVIDED FOR USE ONLY ON THE JOB FOR WHICH IT WAS REQUESTED.
- TRIMCO RESERVES THE RIGHT TO MAKE DESIGN CHANGES WITHOUT NOTICE.
- TRIMCO WILL NOT BE RESPONSIBLE FOR ERRORS OR DAMAGE CAUSED BY THE USE OF OUT-OF-DATE TEMPLATES.
- FOR THE LATEST PRODUCT INFORMATION GO TO: WWW.TRIMCOHARDWARE.COM
- FOR ADDITIONAL HELP, PLEASE CONTACT CUSTOMER SERVICE VIA EMAIL AT CSR@TRIMCOHARDWARE.COM