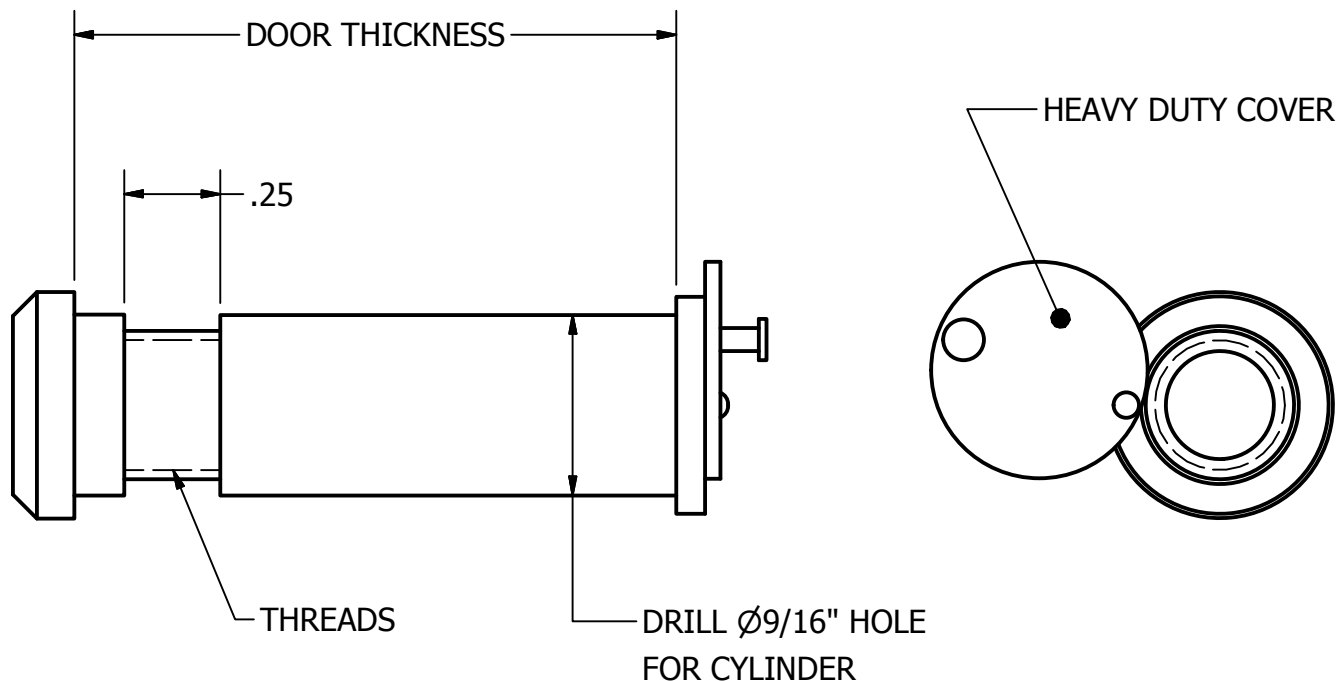




200 DEGREE LENS DOOR VIEWER WITH HEAVY DUTY COVER



DOOR THICKNESS OPTIONS

MIN: 1-3/8"
MAX: 2-1/4"

CUSTOM OPTIONS

DOOR THICKNESS < 1-3/8": PLASTIC SPACER CAN BE PROVIDED
DOOR THICKNESS > 2-1/4": INSERTS CAN BE FABRICATED

RECOMMENDED INSTALLATION LOCATIONS

STANDOARD = 60" ABOVE FINISHED FLOOR
ADA ACCESSABLE = 43" ABOVE FINISHED FLOOR