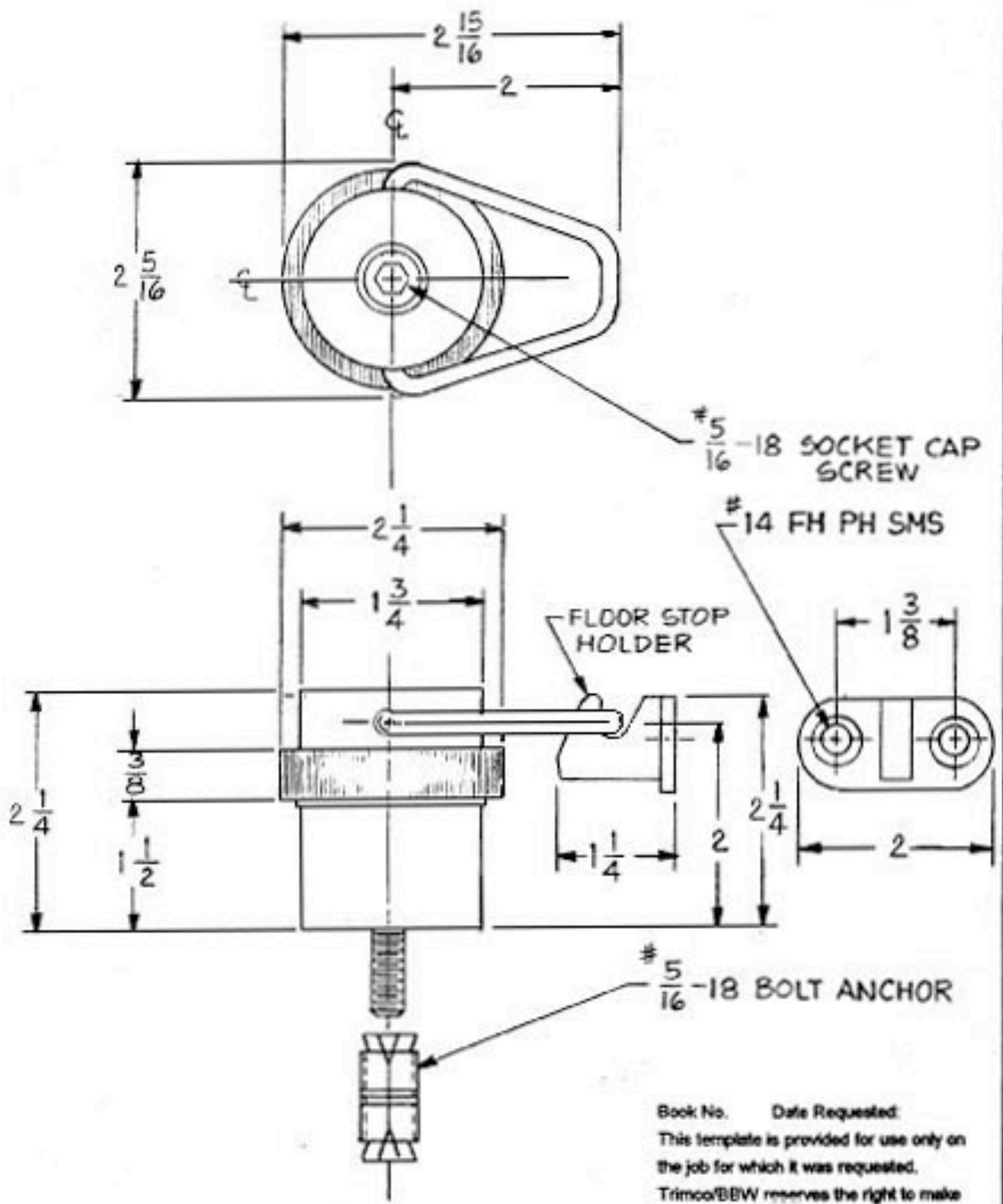


NOTES:

REVISIONS

LTR	DESCRIPTION	DATE	CHECKED
-	NEW DWG.	12-13-94	VLF
A	REVISED.	9-15-95	VLF



Book No. Date Requested:
 This template is provided for use only on
 the job for which it was requested.
 Trimco/BBW reserves the right to make
 design changes without notice.

Trimco / BBW
 Triangle Brass Manufacturing Company, Inc.
 3528 Emery Street, P.O. Box 23277
 Los Angeles, CA 90023, USA

SCALE NONE

DRAWN BY T.A. 12-13-94

TITLE 7285
 STOP W/BAIL & HOOK

PART NO

A DWG. NO. 11341