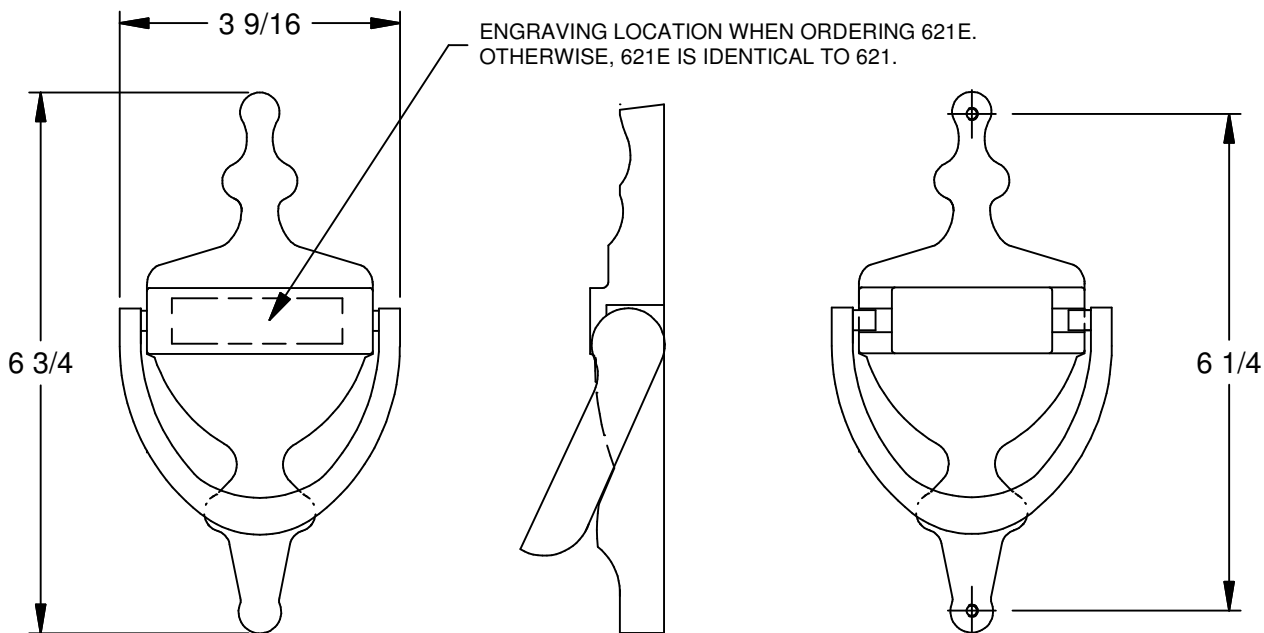


**621V (WITH VIEWER)**

HOLE PREP: Ø1/2 DRILLED HOLE FOR 975 VIEWER,  
Ø9/16 DRILLED HOLE FOR 976 VIEWER.  
Ø3/16 DRILLED HOLES FOR MOUNTING SCREWS



**621 (621E WITH ENGRAVING)**

SUPPLIED WITH TWO (2) TWO INCH OVAL HEAD, PHILLIPS DRIVE  
MACHINE SCREWS (FOR MOUNTING) AND TWO (2) FINISH WASHERS

2-29-12 Revision supercedes 3-24-10 Version.

NOTE: This template is provided for use only on the job for which is was requested.  
Trimco reserves the right to make design changes without notice. Trimco will  
not be responsible for errors or damage caused by the use of out-of-date templates.

DATE

2/29/12, JG