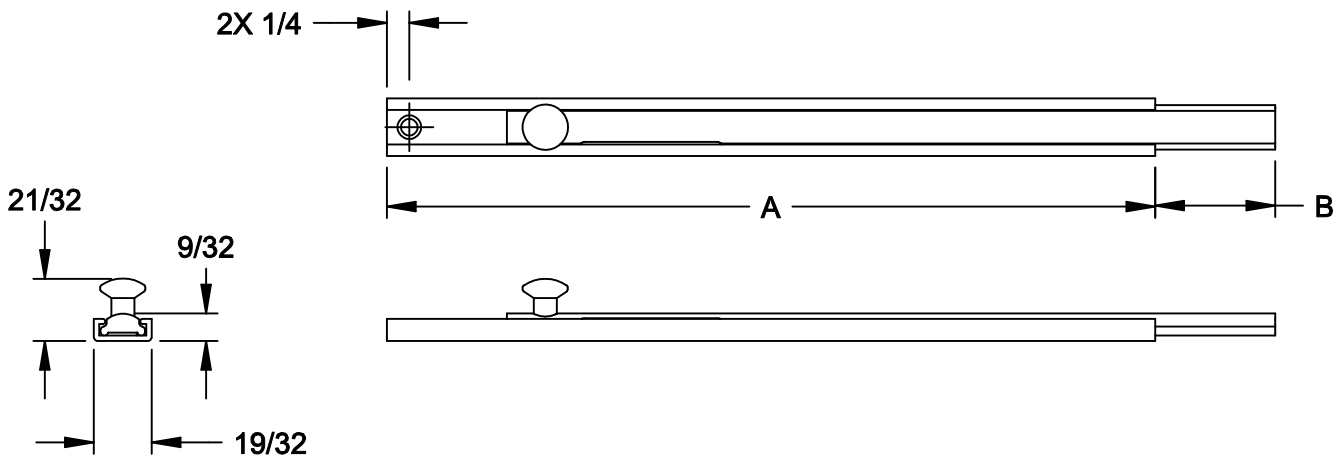
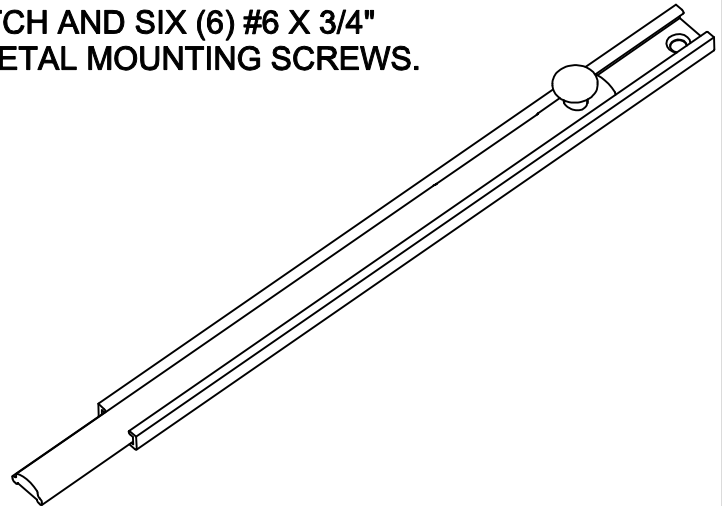
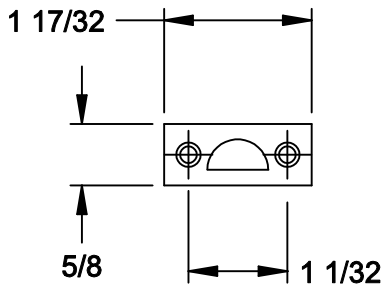


SUPPLIED WITH MORTISE CATCH, UNIVERSAL CATCH AND SIX (6) #6 X 3/4" UNDERCUT FLAT HEAD, PHILLIPS DRIVE, SHEET METAL MOUNTING SCREWS.

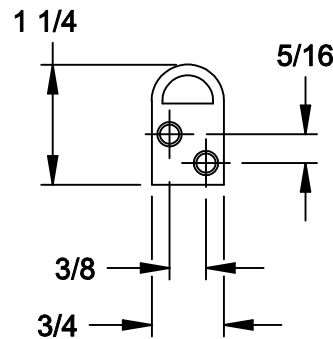
TRIMCO PART NUMBERS: 4871, 4875 AND 4878



MORTISE CATCH



UNIVERSAL CATCH



PART NUMBER	DIM "A" INCHES	DIM "B" INCHES
4871	1-1/2	3/8
4875	5	1
4878	8	1

NOTE: This template is provided for use only on the job for which is was requested. Trimco reserves the right to make design changes without notice. Trimco will not be responsible for errors or damage caused by the use of out-of-date templates.

DATE

1/22/08