



Trimco®

SINCE 1949

TRIANGLE BRASS MANUFACTURING
1351 ROCKY POINT DRIVE, OCEANSIDE, CA 92056
WWW.TRIMCOHARDWARE.COM
CSR@TRIMCOHARDWARE.COM
323.262.4191

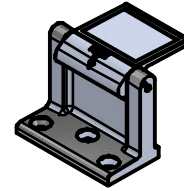
OVERVIEW

INSTALLATION GUIDE FOR SECURITY DOOR GUARD, 4017 PRODUCT FAMILY. FOLLOW THE STEP BY STEP GUIDE BELOW FOR RECOMMENDED INSTALLATION OF TRIMCO PRODUCT.

PARTS



#12 X 1.75
MOUNTING SCREWS



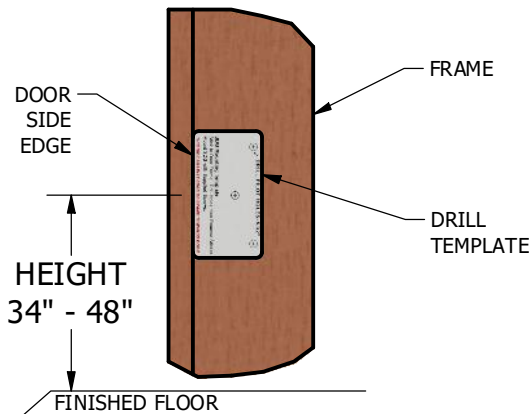
SECURITY
DOOR GUARD



DRILL TEMPLATE
STICKER

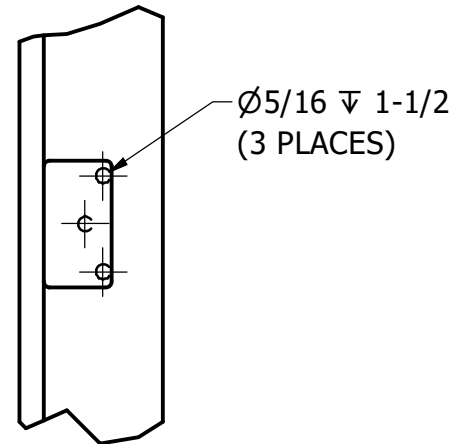
STEP 1

PLACE DRILL TEMPLATE STICKER ON DOOR FRAME AT DETERMINED DOOR HEIGHT. WHEN DETERMINING HEIGHT, CONSIDER USERS WITH DISABILITIES.



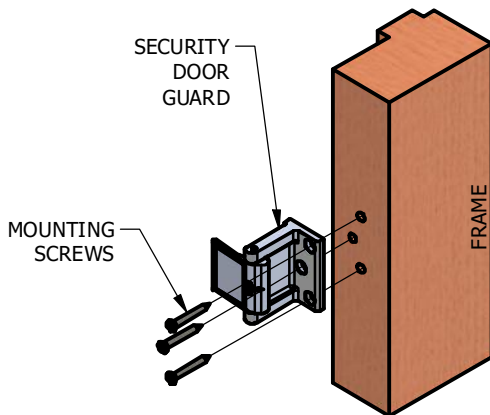
STEP 2

CENTER PUNCH AND DRILL 5/32" PILOTS HOLES WHERE INDICATED BY DRILL TEMPLATE STICKER.



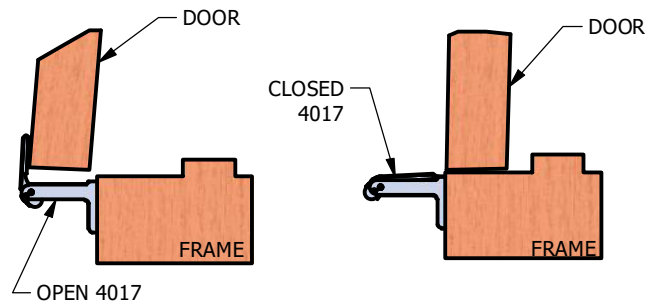
STEP 3

REMOVE STICKER FROM FRAME AND INSTALL DOOR GUARD IN ITS PLACE, USING THE PROVIDED MOUNTING SCREWS.



STEP 4

VERIFY OPERATION. CLOSE DOOR, EXTEND LIP, AND CONFIRM DOOR DOESN'T OPEN. CLOSE DOOR AND RETRACT LIP. DOOR SHOULD OPERATE FREELY.



NOTES

- ITEMS SHOWN NOT TO SCALE
- ALL DIMENSIONS IN INCHES UNLESS SPECIFIED
- THIS INSTALLATION GUIDE IS PROVIDED FOR USE ONLY ON THE JOB FOR WHICH IT WAS REQUESTED.
- TRIMCO RESERVES THE RIGHT TO MAKE DESIGN CHANGES WITHOUT NOTICE.
- TRIMCO WILL NOT BE RESPONSIBLE FOR ERRORS OR DAMAGE CAUSED BY THE USE OF OUT-OF-DATE TEMPLATES.
- FOR THE LATEST PRODUCT INFORMATION GO TO: WWW.TRIMCOHARDWARE.COM
- FOR ADDITIONAL HELP, PLEASE CONTACT CUSTOMER SERVICE VIA EMAIL AT CSR@TRIMCOHARDWARE.COM

