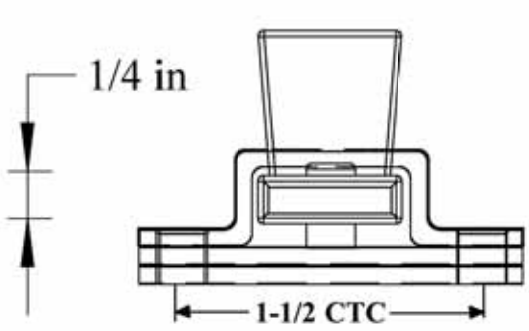
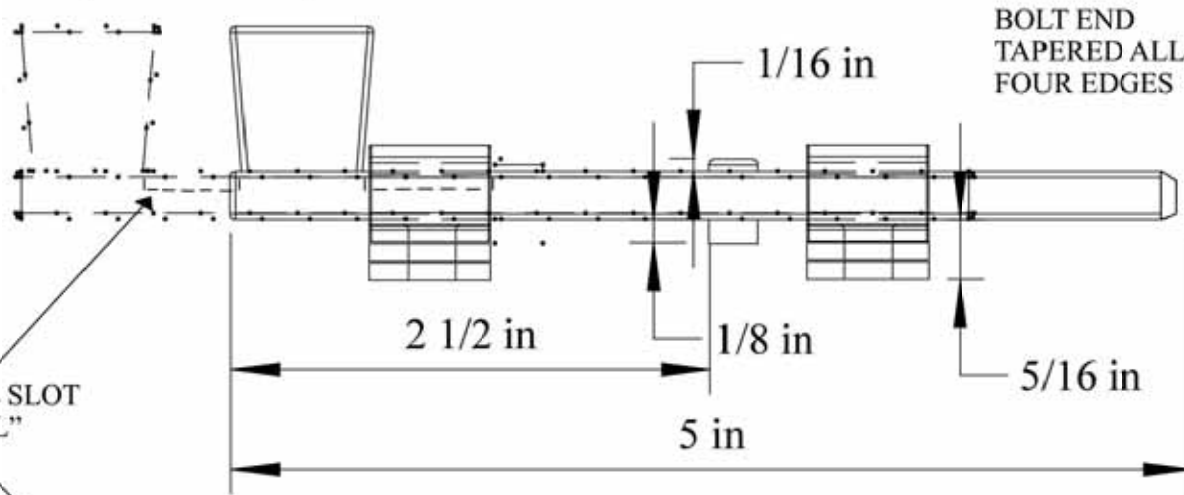
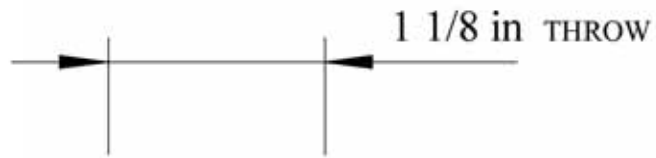
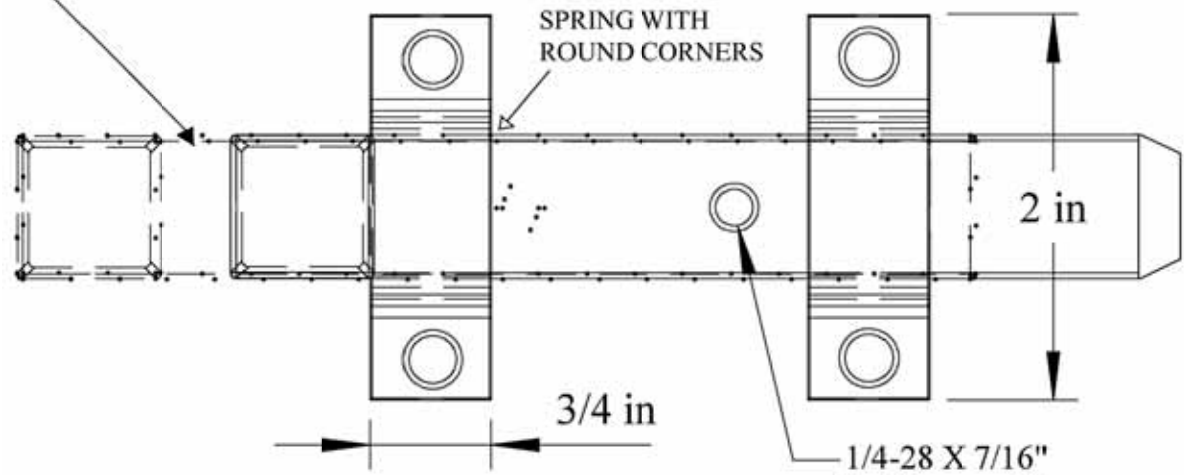


NOTE:  
BOLT SLOT ON ANGLE STRIKE IS  
SAME CENTER LINE AS SURFACE  
BOLT.



MORTISE SLOT  
WITH "UL"  
LABEL



SPRING WITH  
ROUND CORNERS

1/4-28 X 7/16"  
Set Screw set in  
Lock-tite.  
Set in from the  
under side of bolt



SUPPLIED WITH:  
8-32 X 1" TORX FLAT HEAD MACHINE SCREW  
OR  
#8 X 1-1/4" TORX FLAT HEAD SHEET  
METAL/WOOD SCREWS  
(SPECIFY)



3922NYPV.630  
5" H.D. Surface Bolt  
Finish: 630  
Hex set screw acting as stop  
Drawn by: WMK - 9-24-10  
ADDED SPECS BY LS-MF 1/10/14