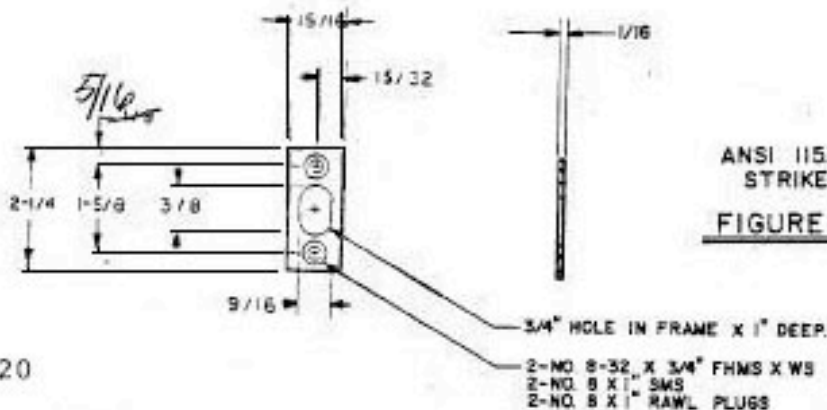


**NOTE**

DIMENSIONS SHOWN ARE FOR TOP FLUSHBOLT. FOR BOTTOM FLUSHBOLT INVERT AND MEASURE FROM BOTTOM EDGE OF DOOR. USE TRIMCO 391C OR 391I DUST PROOF STRIKE WITH BOTTOM BOLT.

\* MINIMUM CLEARANCE REQUIRED

**FIGURE 1**



**ANSI 1154 STRIKE  
FIGURE 2**



PATENT #5076620  
© TRIMCO, 1988

2-NO 8-32 X 3/4" FHMS X WS  
2-NO 8 X 1" SMS  
2-NO 8 X 1" RAWL PLUGS

**Trimco / BBW**  
George Bass Manufacturing Company, Inc.  
3528 Emery Street, P.O. Box 23277  
Los Angeles, CA 90023, USA

DWG.# 10256  
INSTALLATION 3815  
AUTOMATIC FLUSHBOLT  
WOOD DOOR  
DRAWN BY: ABC

Book No. \_\_\_\_\_ Date Requested: \_\_\_\_\_  
This template is provided for use only on the job for which it was requested. Trimco reserves the right to make design changes without notice.

## REVISIONS

LTR	DESCRIPTION	DATE	CHECKED
B	REVISED	5-24-90	ABC
C	REVISED	9-21-95	<i>[Signature]</i>

3815

PAGE 2 OF 2

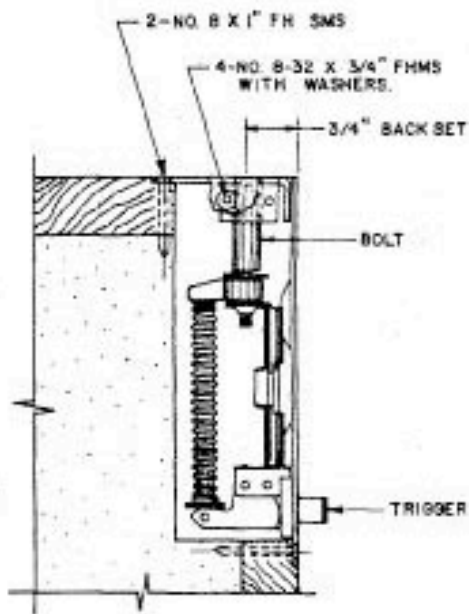
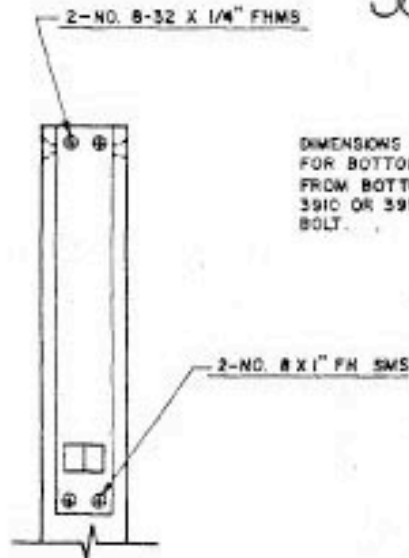


FIGURE 3



NOTE

DIMENSIONS SHOWN ARE FOR TOP FLUSH BOLT. FOR BOTTOM FLUSH BOLT INVERT AND MEASURE FROM BOTTOM EDGE OF DOOR. USE TRIMCO 3910 OR 3911 DUST PROOF STRIKE WITH BOTTOM BOLT.

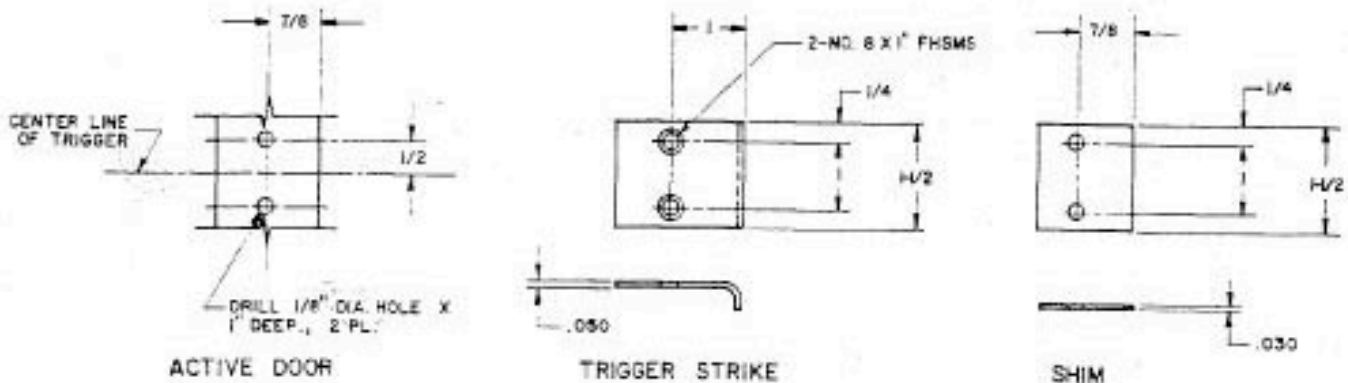


FIGURE 4

### INSTALLATION INSTRUCTIONS

- 1) PREPARE INACTIVE DOOR AS SHOWN IN FIGURE 1. SEAL DOOR IMMEDIATELY. (TOP CORNER SHOWN)
- 2) PREPARE FRAME FOR ANSI A115.4 STRIKE AS IN FIGURE 2. LOCATE STRIKE TO LINE UP WITH BOLT. INSTALL STRIKE.
- 3) INSTALL TRIMCO 3910 OR 3911 DUST PROOF STRIKE IN FLOOR (TEMPLATE AVAILABLE), OR ANSI A115.4 STRIKE SHOWN IN FIGURE 2. LOCATE STRIKE TO LINE UP WITH BOLT. INSTALL STRIKE.
- 4) INSTALL TRIMCO 3815 AS SHOWN IN FIGURE 3.
- 5) HANG DOOR.
- 6) ADJUST BOLT SO WHEN FULLY RETRACTED, TO PROVIDE 1/8\" CLEARANCE BETWEEN BOLT AND STRIKE. TO ADJUST BOLT REMOVE SCREWS UNDERLINED IN FIGURE 3, AND REMOVE BOLT. ROTATE BOLT UP OR DOWN AS REQUIRED, THEN REPLACE BOLT.
- 7) PREPARE ACTIVE DOOR AS SHOWN IN FIGURE 4. TRIGGER STRIKE TO LINE UP WITH CENTER LINE OF TRIGGER AS SHOWN IN FIGURE 4. INSTALL STRIKE USING 2-NO. 8 X 1\" SMS. SHIM AS REQUIRED TO PROVIDE 3/32\" CLEARANCE BETWEEN INACTIVE DOOR AND TRIGGER STRIKE.

NOTE: FAILURE TO PRE-DRILL SCREWHOLES WILL VOID WARRANTY.

DWG. NO. 10256

© TRIMCO, 1988