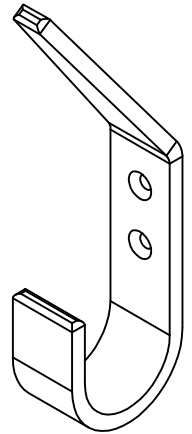
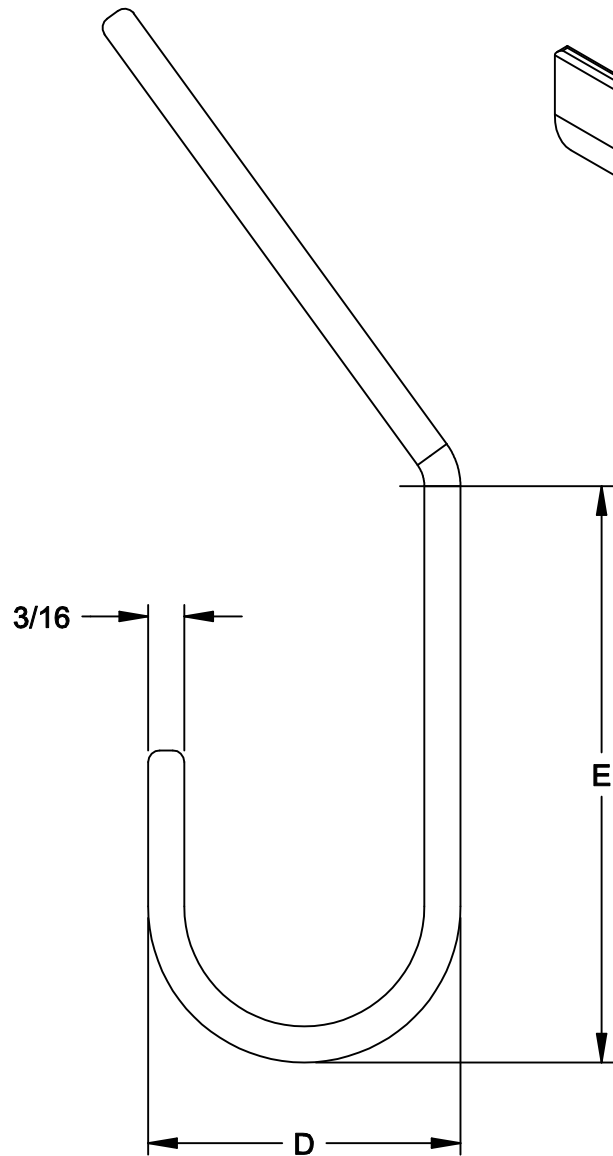
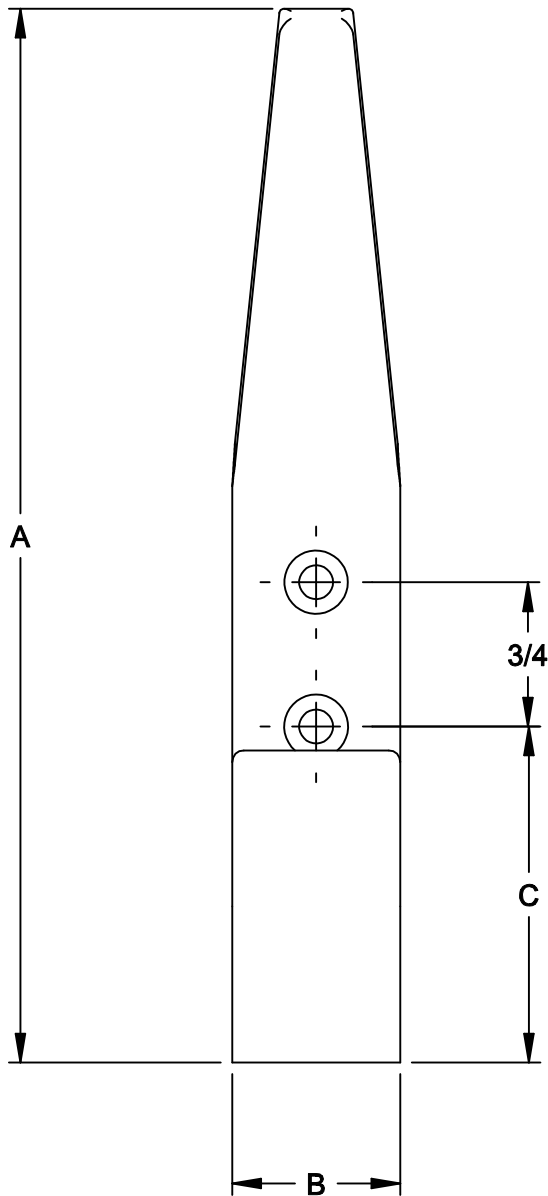


SUPPLIED WITH TWO (2) #8X1-1/4 FLAT HEAD, PHILLIPS DRIVE SHEET METAL SCREWS.



PART NUMBER	DIM "A"	DIM "B"	DIM "C"	DIM "D"	DIM "E"
3071	5-1/2	7/8	1-3/4	1-5/8	3
3071-1	4-1/2	3/4	1-5/8	1-3/8	2-11/16

NOTE: This template is provided for use only on the job for which is was requested. Trimco reserves the right to make design changes without notice. Trimco will not be responsible for errors or damage caused by the use of out-of-date templates.

DATE

10/17/08