



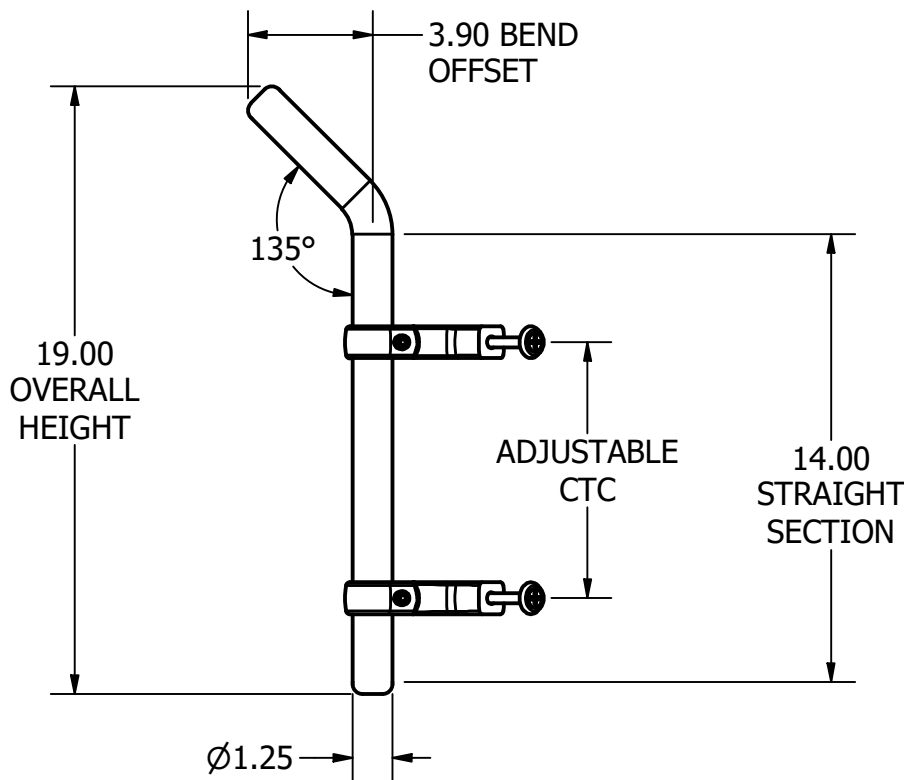
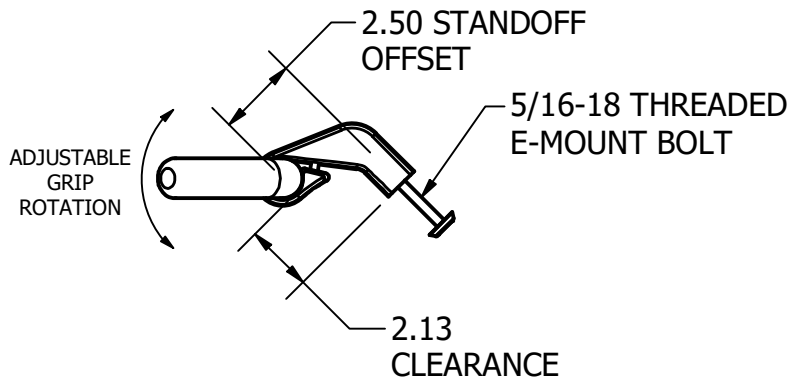
**Trimco**  
SINCE 1949

**PRODUCT:**

AP333E ADJUSTABLE HANDS FREE BENT LADDER PULL,  
OFFSET STANDOFF, E-MOUNTING TEMPLATE

**NOTES:**

- ALL DIMENSIONS IN INCHES.
- DO NOT SCALE.
- CUSTOMER MUST SPECIFY DOOR THICKNESS.
- NOT FOR GLASS DOORS.
- FOR ADDITIONAL INFORMATION, CONTACT CUSTOMER SERVICE AT:  
CSR@TRIMCOHARDWARE.COM



**TEMPLATE# 21977**

**SHEET**

**1 OF 1**

**REVISION# 01**

**APPROVED ON: 8/16/2021**

This template is provided for use only on the job for which it was requested. Trimco reserves the right to make design changes without notice. Trimco will not be responsible for errors or damage caused by the use of out-of-date templates.

**TRIANGLE BRASS MANUFACTURING**  
1351 ROCKY POINT DRIVE  
OCEANSIDE, CA 92056  
[WWW.TRIMCOHARDWARE.COM](http://WWW.TRIMCOHARDWARE.COM)