



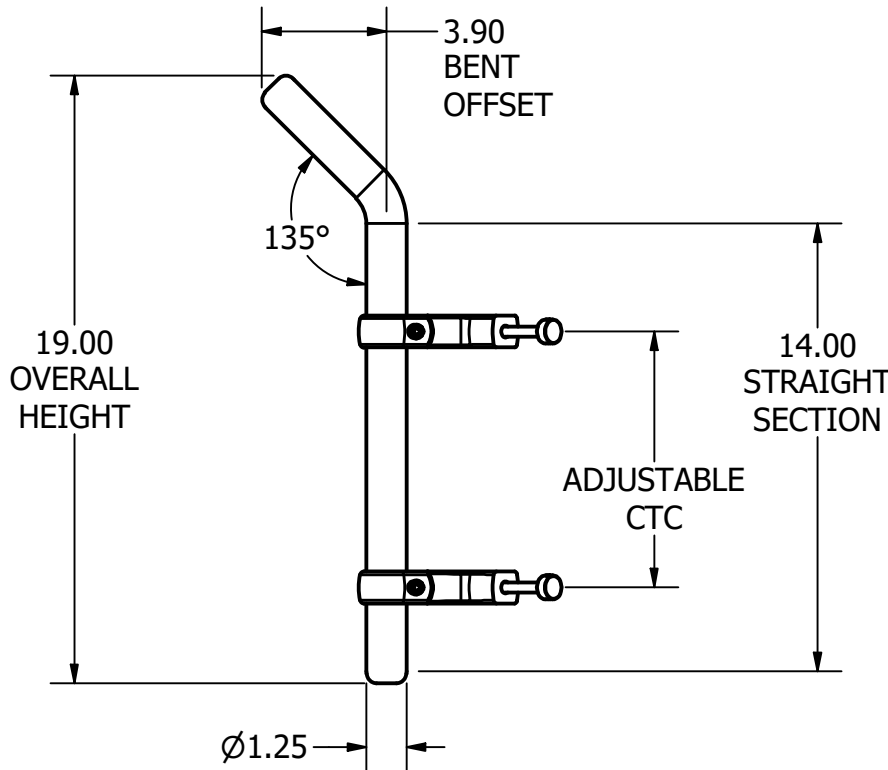
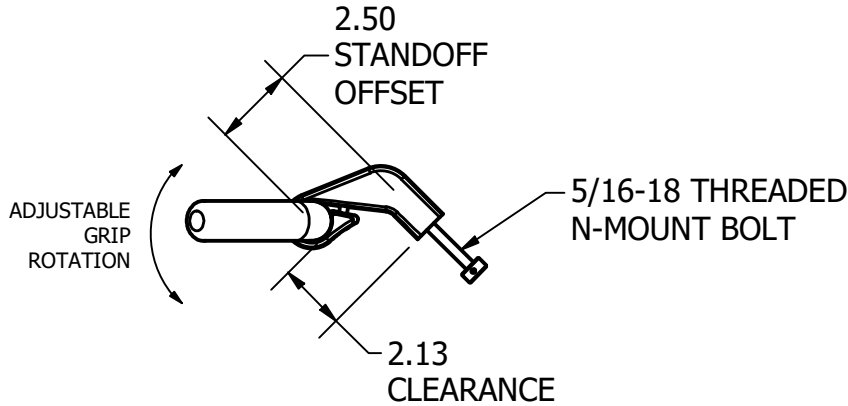
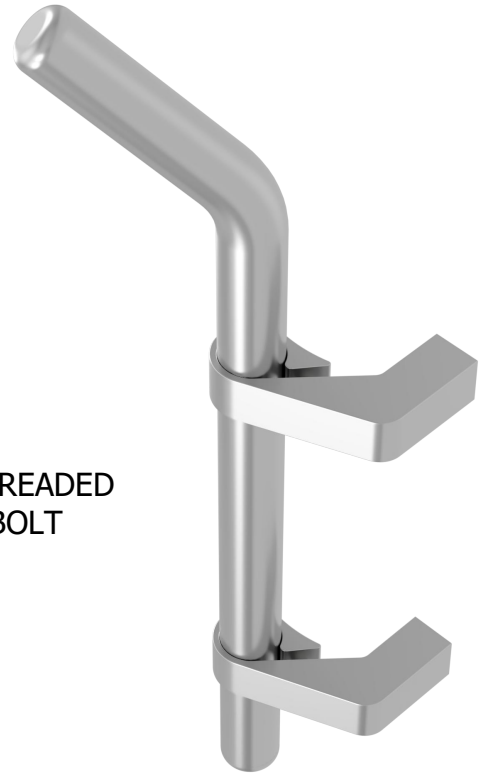
**Trimco**  
SINCE 1949

**PRODUCT:**

AP333N ADJUSTABLE HANDS FREE BENT LADDER PULL,  
OFFSET STANDOFF, N-MOUNTING TEMPLATE

**NOTES:**

- ALL DIMENSIONS IN INCHES.
- DO NOT SCALE.
- CUSTOMER MUST SPECIFY DOOR THICKNESS.
- FOR GLASS DOORS, BACK PLATES AND GLASS KITS INCLUDED. HOLE DIAMETER IN GLASS DOOR MUST BE SPECIFIED.
- FOR ADDITIONAL INFORMATION, CONTACT CUSTOMER SERVICE AT: CSR@TRIMCOHARDWARE.COM



**TEMPLATE# 21976**

**SHEET**

**1 OF 1**

**REVISION# 01**

This template is provided for use only on the job for which it was requested. Trimco reserves the right to make design changes without notice. Trimco will not be responsible for errors or damage caused by the use of out-of-date templates.

APPROVED ON: 8/16/2021

TRIANGLE BRASS MANUFACTURING  
1351 ROCKY POINT DRIVE  
OCEANSIDE, CA 92056  
WWW.TRIMCOHARDWARE.COM