



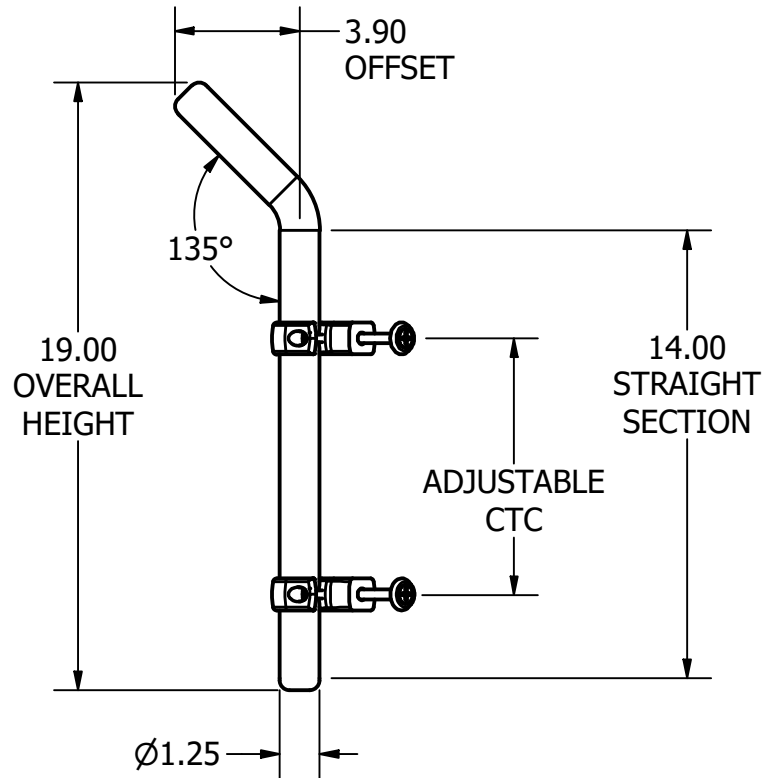
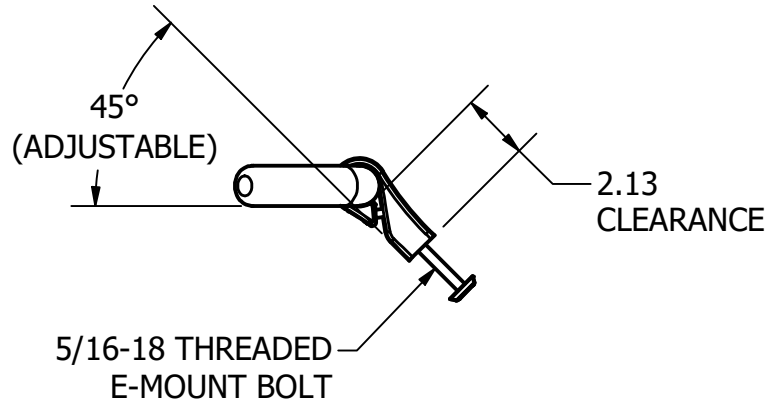
Trimco
SINCE 1949

PRODUCT:

AP331E ADJUSTABLE HANDS FREE BENT LADDER PULL,
STRAIGHT STANDOFF, E-MOUNTING TEMPLATE

NOTES:

- ALL DIMENSIONS IN INCHES.
- DO NOT SCALE.
- CUSTOMER MUST SPECIFY DOOR THICKNESS.
- NOT FOR GLASS DOORS.
- FOR ADDITIONAL INFORMATION, CONTACT CUSTOMER SERVICE AT:
CSR@TRIMCOHARDWARE.COM



TEMPLATE# 21973

SHEET

1 OF 1

REVISION# 01

APPROVED ON: 8/13/2021

This template is provided for use only on the job for which it was requested. Trimco reserves the right to make design changes without notice. Trimco will not be responsible for errors or damage caused by the use of out-of-date templates.

TRIANGLE BRASS MANUFACTURING
1351 ROCKY POINT DRIVE
OCEANSIDE, CA 92056
WWW.TRIMCOHARDWARE.COM