



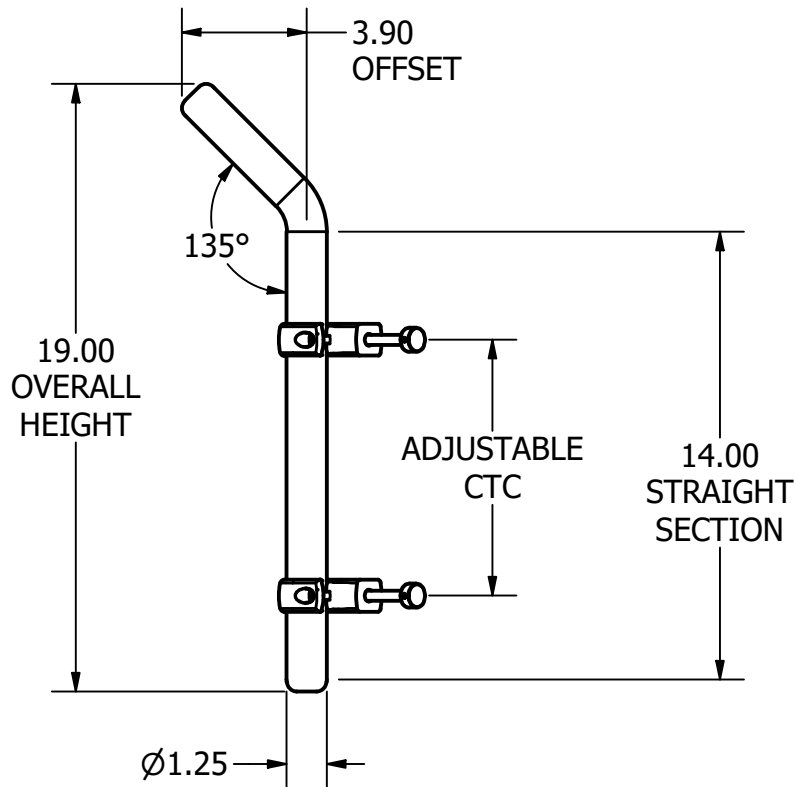
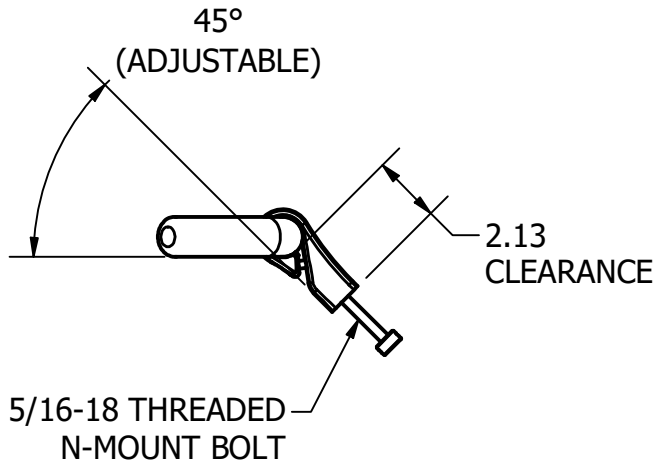
**Trimco**  
SINCE 1949

**PRODUCT:**

AP331N ADJUSTABLE HANDS FREE BENT LADDER PULL,  
STRAIGHT STANDOFF, N-MOUNTING TEMPLATE

**NOTES:**

- ALL DIMENSIONS IN INCHES.
- DO NOT SCALE.
- CUSTOMER MUST SPECIFY DOOR THICKNESS.
- FOR GLASS DOORS, BACK PLATES AND GLASS KITS INCLUDED. HOLE DIAMETER IN GLASS DOOR MUST BE SPECIFIED.
- FOR ADDITIONAL INFORMATION, CONTACT CUSTOMER SERVICE AT: CSR@TRIMCOHARDWARE.COM



**TEMPLATE# 21972**

**SHEET**

**1 OF 1**

**REVISION# 01**

**APPROVED ON: 8/13/2021**

This template is provided for use only on the job for which it was requested. Trimco reserves the right to make design changes without notice. Trimco will not be responsible for errors or damage caused by the use of out-of-date templates.

**TRIANGLE BRASS MANUFACTURING**  
1351 ROCKY POINT DRIVE  
OCEANSIDE, CA 92056  
[WWW.TRIMCOHARDWARE.COM](http://WWW.TRIMCOHARDWARE.COM)