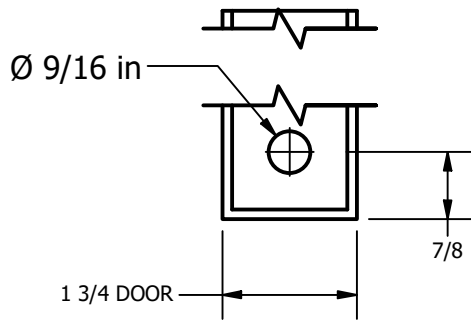




Trimco
SINCE 1949

PRODUCT:

3820 UL HOLLOW METAL DOOR AUTO FLUSHBOLT INSTRUCTIONS



NOTE:

DIMENSIONS SHOWN ARE FOR TOP FLUSH BOLT. FOR BOTTOM FLUSH BOLT INVERT AND MEASURE FROM BOTTOM EDGE OF DOOR. USE TRIMCO 3910 OR 3911 DUST PROOF STRIKE WITH BOTTOM BOLT.

* MINIMUM CLEARANCE REQUIRED.

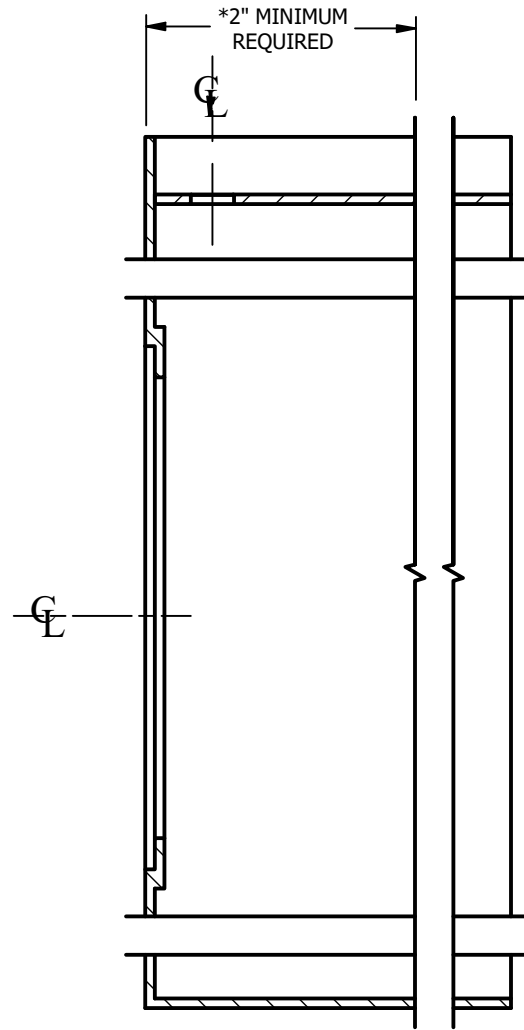
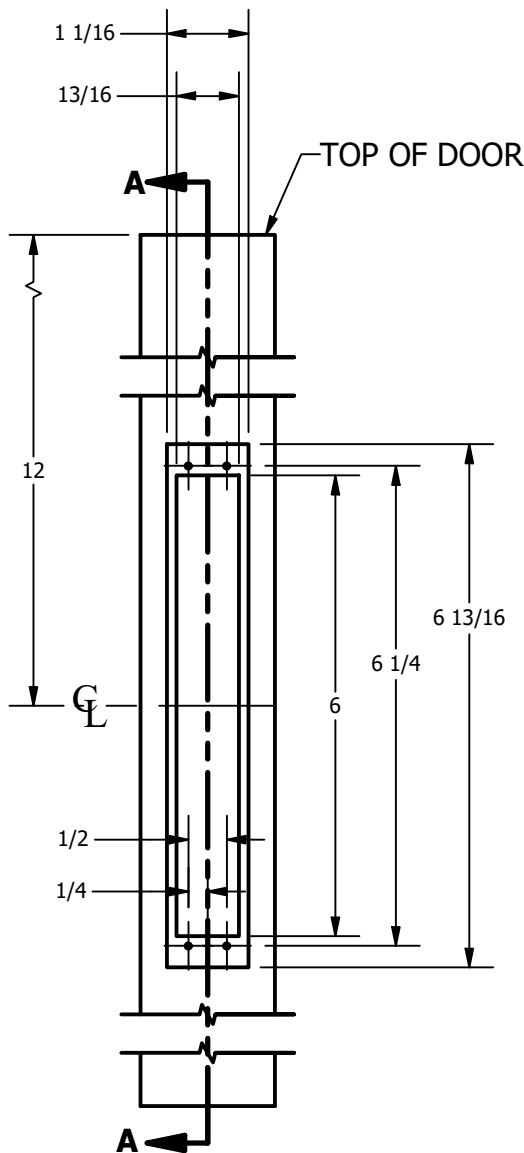


FIGURE 1

SECTION A-A

TEMPLATE# 19285

SHEET

1 OF 3

REVISION# 01

This template is provided for use only on the job for which it was requested. Trimco reserves the right to make design changes without notice. Trimco will not be responsible for errors or damage caused by the use of out-of-date templates.

APPROVED ON: 5/30/2023

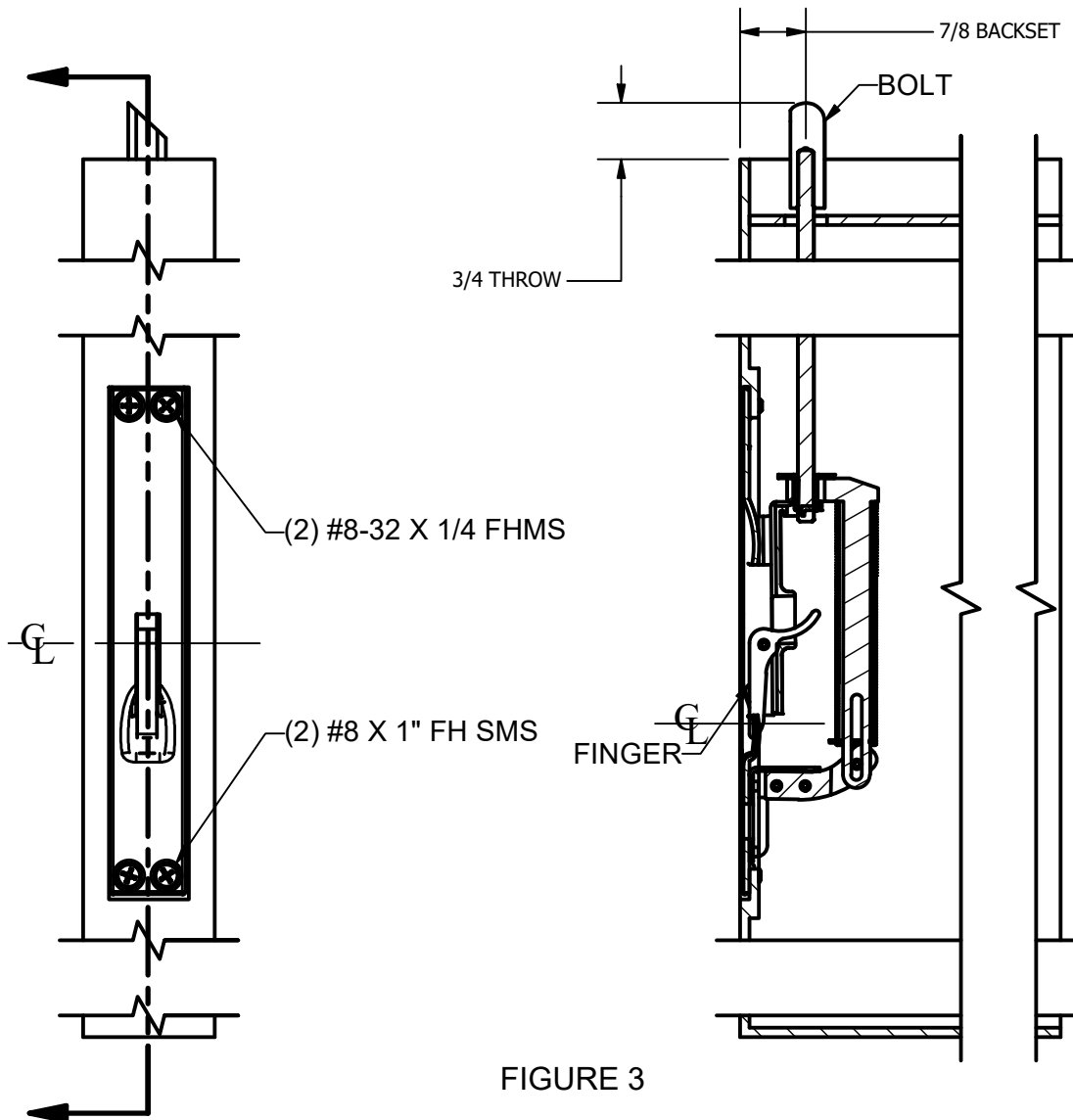
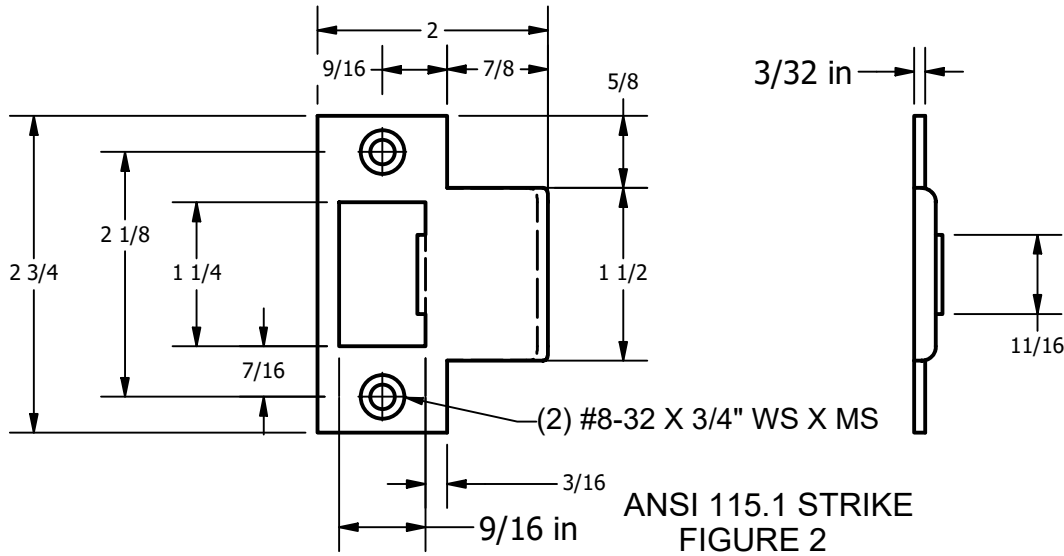
TRIANGLE BRASS MANUFACTURING
1351 ROCKY POINT DRIVE
OCEANSIDE, CA 92056
WWW.TRIMCOHARDWARE.COM



Trimco
SINCE 1949

PRODUCT:

3820 UL HOLLOW METAL DOOR AUTO FLUSHBOLT
INSTRUCTIONS



TEMPLATE# 19285

SHEET

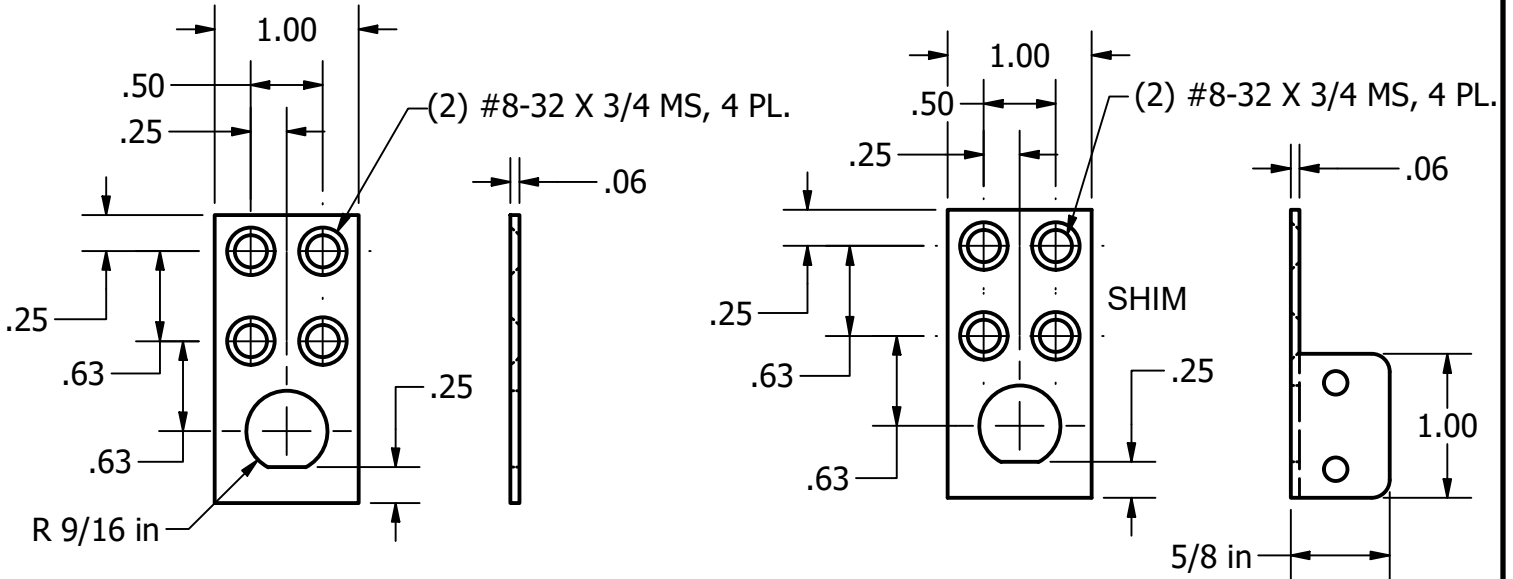
2 OF 3

REVISION# 01

APPROVED ON: 5/30/2023

This template is provided for use only on the job for which it was requested. Trimco reserves the right to make design changes without notice. Trimco will not be responsible for errors or damage caused by the use of out-of-date templates.

TRIANGLE BRASS MANUFACTURING
1351 ROCKY POINT DRIVE
OCEANSIDE, CA 92056
WWW.TRIMCOHARDWARE.COM



GUIDE DETAILS
FIGURE 4

INSTALLATION INSTRUCTIONS

- 1) PREPARE CORNER OF INACTIVE DOOR AS SHOWN IN FIGURE 1. (TOP CORNER SHOWN)
- 2) PREPARE FRAME FOR ANSI STRIKE AS IN FIGURE 2. LOCATE STRIKE TO LINE UP WITH BOLT. INSTALL STRIKE.
- 3) INSTALL TRIMCO 3820 AS SHOWN IN FIGURE 3.
- 4) HANG DOOR.
- 5) ADJUST BOLT TO PROVIDE 1/8" CLEARANCE BETWEEN BOLT AND STRIKE WHEN FULLY RETRACTED. TO ADJUST BOLT, REMOVE GUIDE AND ROTATE BOLT UP OR DOWN AS REQUIRED. REPLACE GUIDE.