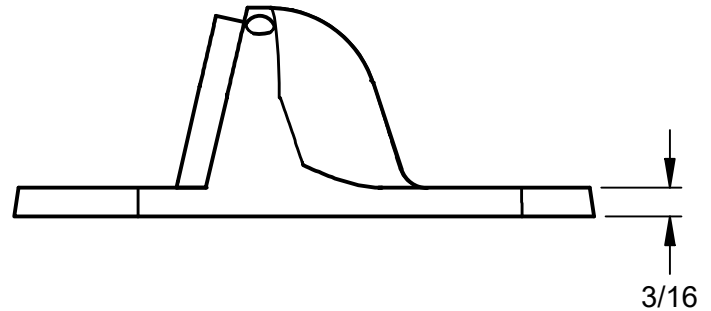
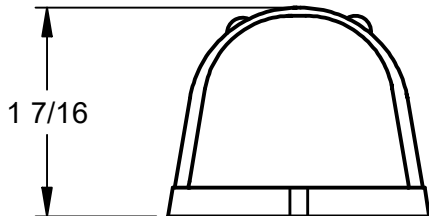
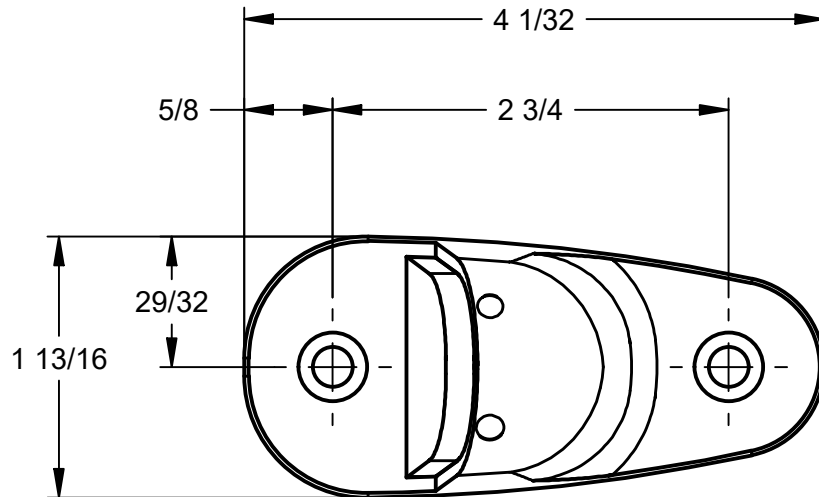
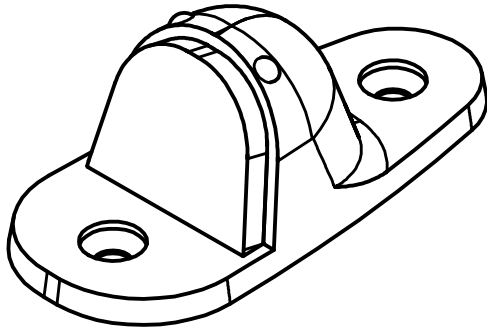




**Trimco**  
SINCE 1949

**PRODUCT:**

1215CKU UNIVERSAL STOP



**SUPPLIED WITH:** TWO (2) 1/4-20 X 7/8 ANCHOR, 2 TWO (2) #14 X 1-1/4 PLASTIC BANTAMS, TWO (2) #14 X 1-1/2 FLAT HEAD, PHILLIPS DRIVE WOOD SCREWS, TWO (2) 1/4-20 X 1 UNDERCUT FLAT HEAD, PHILLIPS DRIVE MACHINE SCREWS AND TWO (2) 1/4-20 X 1 FLAT HEAD, TORX DRIVE MACHINE SCREWS.

WHEN INSTALLING USING THE ANCHOR, DRILL PREP  $\varnothing 1/2"$  HOLE X  $7/8"$  DEEP, WHEN USING THE PLASTIC BANTAM DRILL PREP  $\varnothing 1/4"$  X  $1-1/4"$  DEEP.

**TEMPLATE#** 18712

**SHEET**

**1 OF 1**

**REVISION#** 1

This template is provided for use only on the job for which it was requested. Trimco reserves the right to make design changes without notice. Trimco will not be responsible for errors or damage caused by the use of out-of-date templates.

**TRIANGLE BRASS MANUFACTURING**  
1351 ROCKY POINT DRIVE  
OCEANSIDE, CA 92056  
[WWW.TRIMCOHARDWARE.COM](http://WWW.TRIMCOHARDWARE.COM)

**APPROVED ON:** 2/3/2023