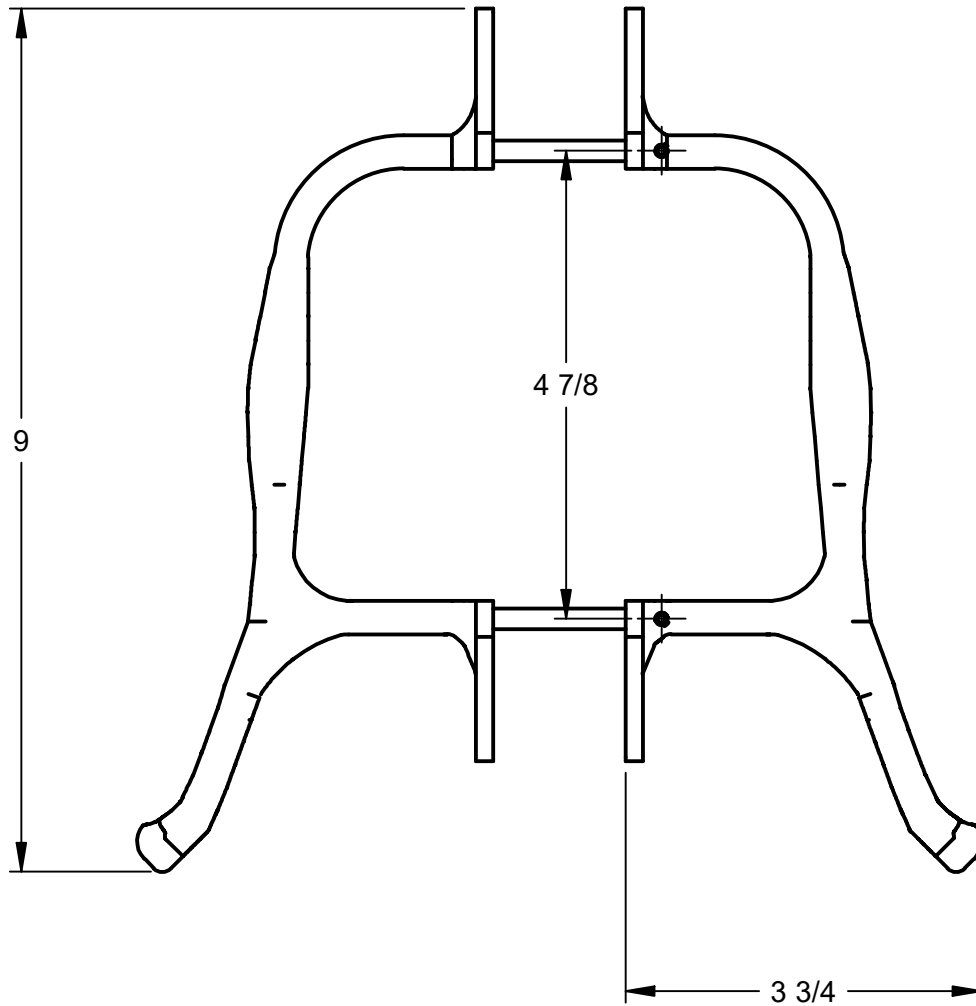
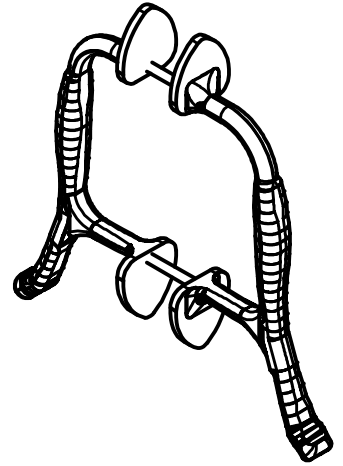




Trimco[®]
SINCE 1949

PRODUCT:

1134B PULL SET



SUPPLIED WITH TWO (2) CUSTOM SHOULDER BOLTS AND FOUR (4) SET SCREWS

TEMPLATE# 18617

SHEET

1 OF 1

REVISION# 1

This template is provided for use only on the job for which it was requested. Trimco reserves the right to make design changes without notice. Trimco will not be responsible for errors or damage caused by the use of out-of-date templates.

TRIANGLE BRASS MANUFACTURING
1351 ROCKY POINT DRIVE
OCEANSIDE, CA 92056
WWW.TRIMCOHARDWARE.COM

APPROVED ON: 2/2/2023