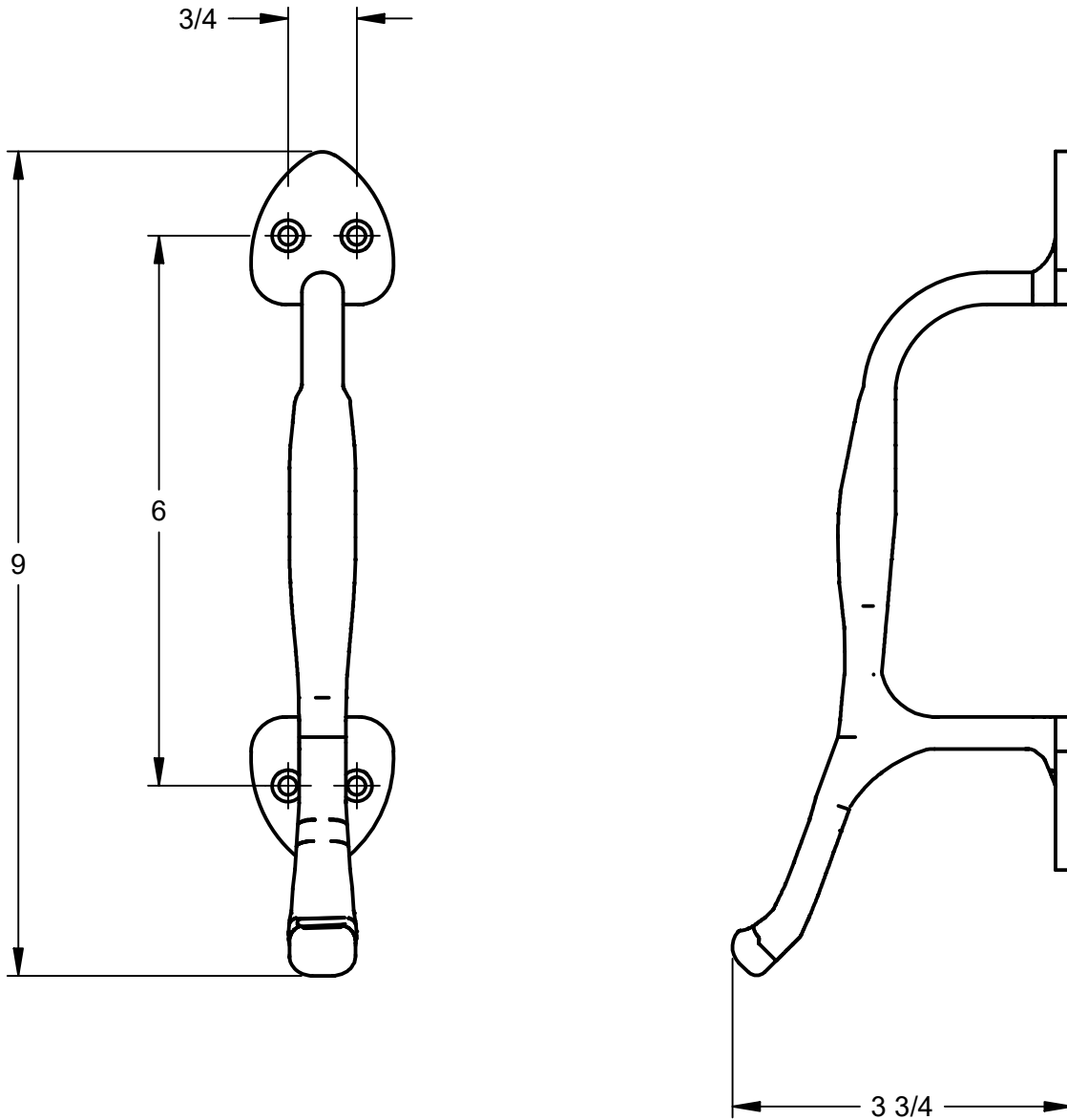




Trimco
SINCE 1949

PRODUCT:

1134 SURFACE MOUNTED HOSPITAL ARM PULL TEMPLATE



MOUNTING DATA FOR 1134 HOSPITAL ARM PULL	
SURFACE	MOUNTING HARDWARE
WOOD	#8 X 1-1/4 OH SMS (X4)
METAL	#8-32 X 1/2" OH MS (X4)

TEMPLATE# 18612

SHEET

1 OF 1

TRIANGLE BRASS MANUFACTURING
1351 ROCKY POINT DRIVE
OCEANSIDE, CA 92056
WWW.TRIMCOHARDWARE.COM

REVISION# 1

This template is provided for use only on the job for which it was requested. Trimco reserves the right to make design changes without notice. Trimco will not be responsible for errors or damage caused by the use of out-of-date templates.

APPROVED ON: 2/2/2023