

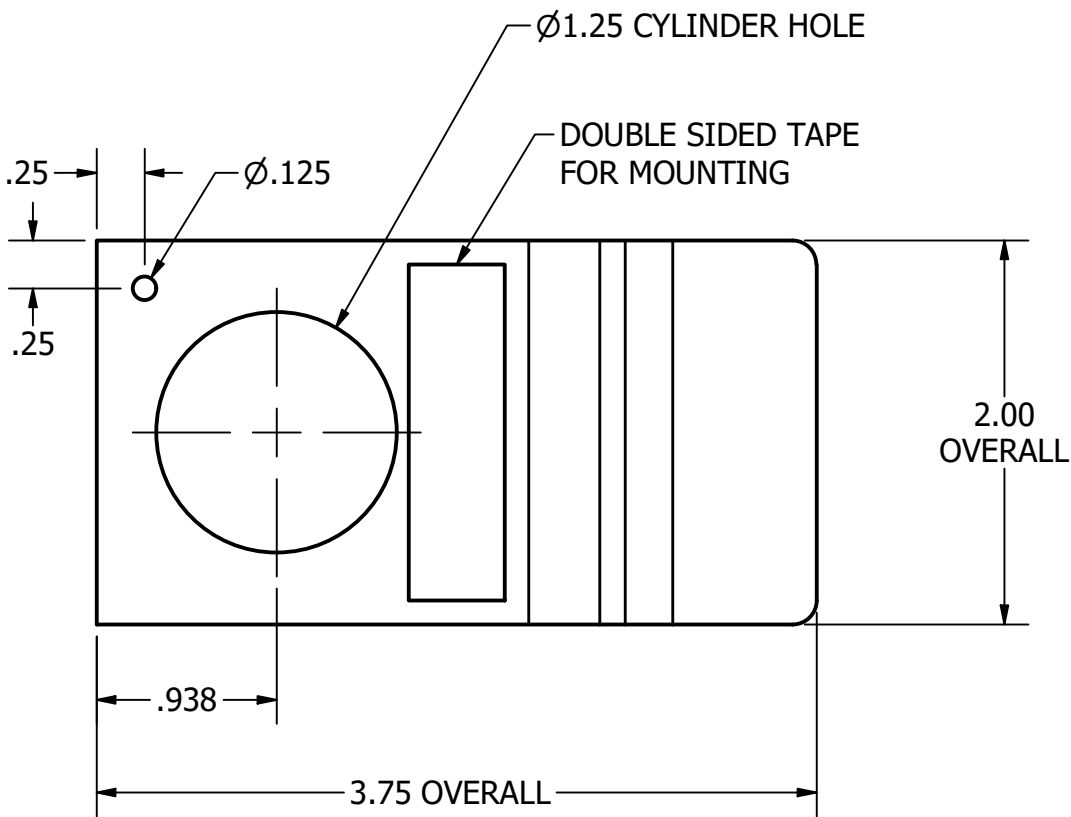
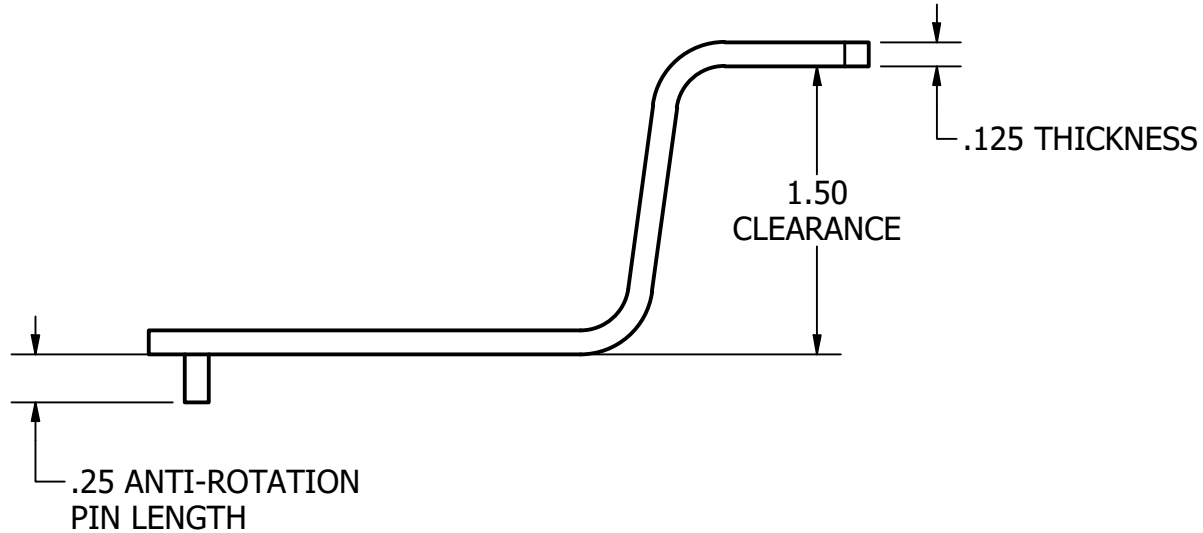
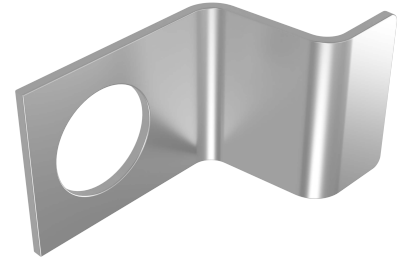


Trimco
SINCE 1949

PRODUCT:

CYLINDER PULL, ADHESIVE MOUNT, 2" X 3-3/4"

- NOTES:
 -ALL DIMENSIONS IN INCHES.
 -FINISH: 630, SATIN STAINLESS STEEL.
 -PART NUMBER: **1822-3-P.630**



TEMPLATE# 21951

SHEET

1 OF 1

REVISION# 02

This template is provided for use only on the job for which it was requested. Trimco reserves the right to make design changes without notice. Trimco will not be responsible for errors or damage caused by the use of out-of-date templates.

TRIANGLE BRASS MANUFACTURING
 1351 ROCKY POINT DRIVE
 OCEANSIDE, CA 92056
 WWW.TRIMCOHARDWARE.COM

APPROVED ON: 8/2/2021