



Trimco®

SINCE 1949

1802 SERIES HEAVY DUTY PULL PLATE SELL SHEET

TRIANGLE BRASS MANUFACTURING ~ 1351 ROCKY POINT DRIVE, OCEANSIDE, CA 92056 ~ (323) 262 4191 ~ WWW.TRIMCOHARDWARE.COM

PRODUCT DESCRIPTION

TRIMCO'S 1802 SERIES HEAVY DUTY PULL PLATES ARE MANUFACTURED IN THE UNITED STATES USING 1/8" STAINLESS STEEL, BRASS OR BRONZE FOR EXTRA STRENGTH AND DURABILITY. UTILIZING A 1" X 3/8" BAR PULL WITH A PROJECTION OF 1-7/8" MAKES THIS ADA COMPLIANT. 1802 OPTIONS INCLUDE ENGRAVING FOR "PUSH" OR "PULL", AS WELL AS DIFFERENT CYLINDER AND CUSTOM CUTOUTS FOR MOST APPLICATIONS. THE TOP AND BOTTOM EDGES HAVE AN EXTRA HEAVY BEVEL CREATING AN APPEALING DESIGN.

PRODUCT TYPE

(SELECT TYPE AFTER OPTION AND FINISH SELECTION)

OPTION:

FINISH:

PART NUMBER:



1802-4



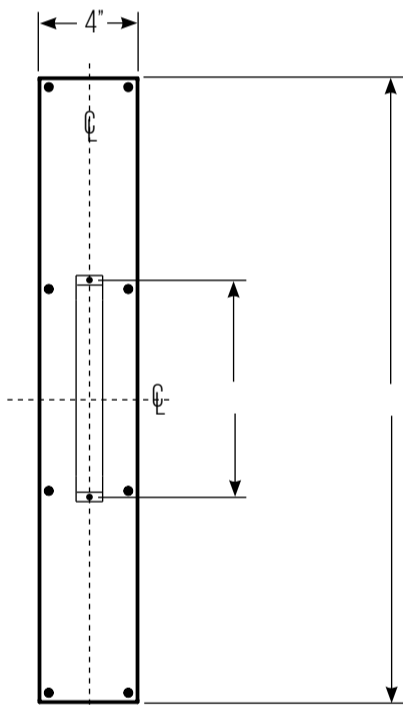
1802-25



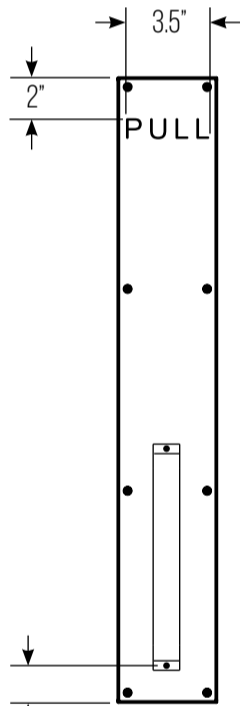
1802-25



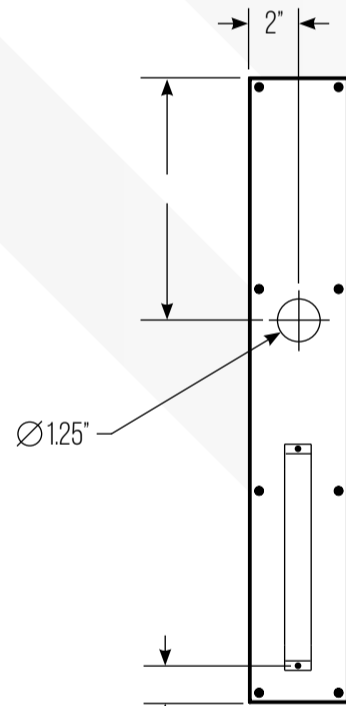
1802-4



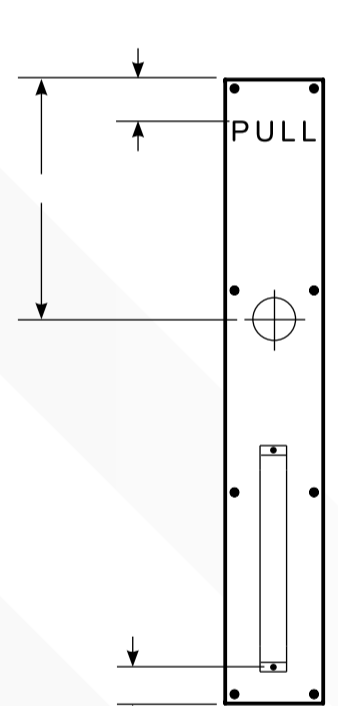
STANDARD



ENGRAVED



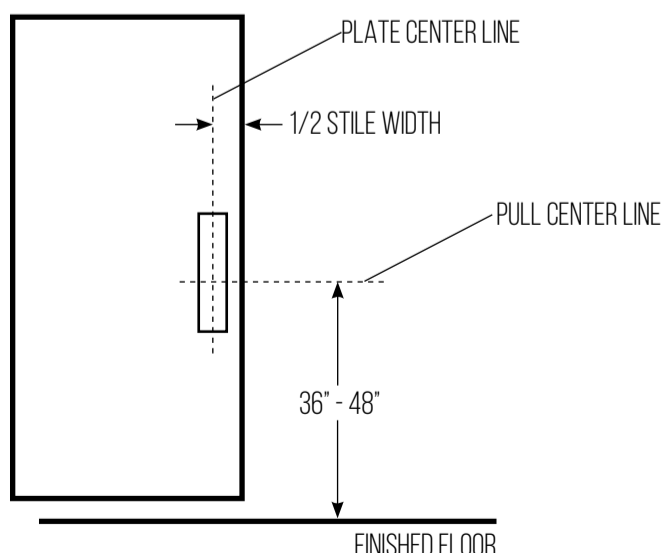
CUT FOR CYLINDER



ENGRAVED AND CUT FOR CYLINDER

INSTALLATION

(RECOMMENDED)



NOTES

-NOT TO SCALE.

-DIMENSIONS ARE IN INCHES.

-FOR LATEST PRODUCT INFORMATION, SCAN THE QR CODE OR GO TO: WWW.TRIMCOHARDWARE.COM

-TO CONTACT US, PLEASE EMAIL AT: CSR@TRIMCOHARDWARE.COM

FEATURES

- BLACK INFILL ENGRAVING
- MULTIPLE FINISHES AVAILABLE
- SURFACE MOUNTED
- ADA COMPLIANT
- CUSTOM FEATURES AVAILABLE

