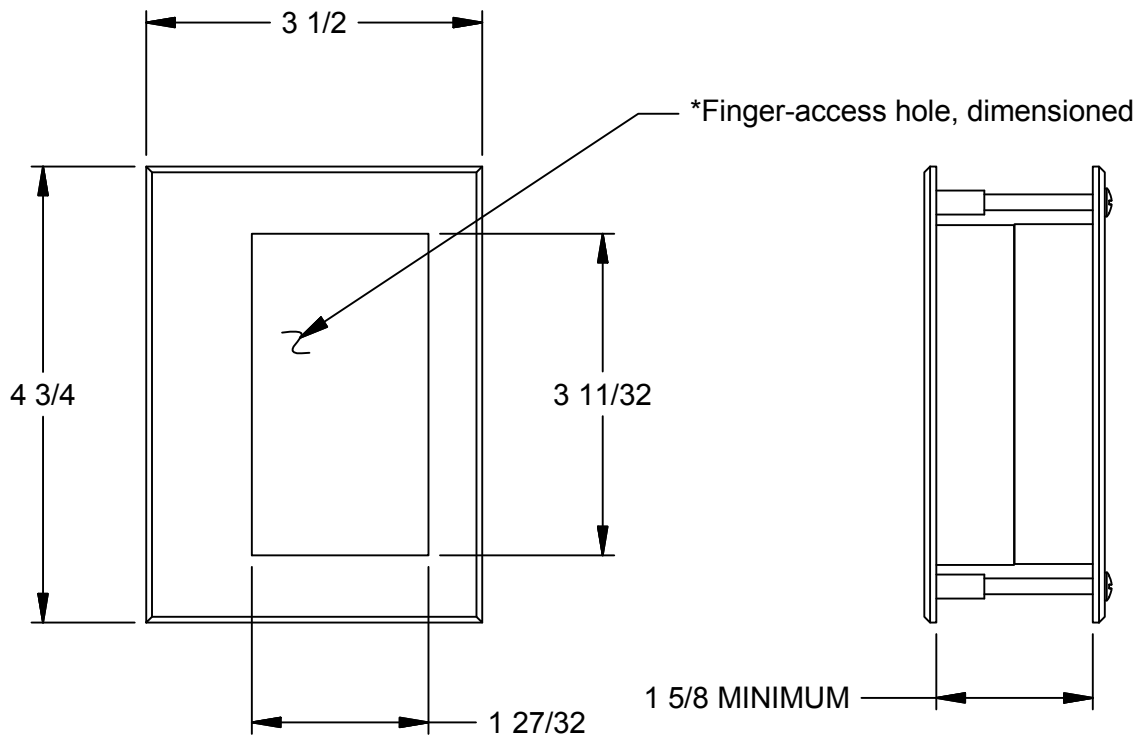


RECOMMEND CUT OUT BE 1/16" LARGER THAN CUP (*Ref: 3 17/32 x 2 9/16 DIMENSIONS) FOR EASE OF INSTALLATION

2X Ø3/16 THRU



SUPPLIED WITH TWO (2) 8-32 X 1-3/4 OVAL HEAD, PHILLIPS DRIVE MACHINE SCREWS.

*IT IS RECOMMENDED TO HAVE 1/8 CLEARANCE ON ALL SIDES WHEN MOUNTING IN DOOR DESIGNED FOR A DOOR WIDTH OF 1 - 3/4"

8-17-11 Revision replaces 11-9-06 Version. An asterick (*) indicates notes and labels added for clarification.

NOTE: This template is provided for use only on the job for which is was requested. Trimco reserves the right to make design changes without notice. Trimco will not be responsible for errors or damage caused by the use of out-of-date templates.

DATE

8/17/11 JWG