

TEMPLATE NO.

19803
SHT 1 OF 1

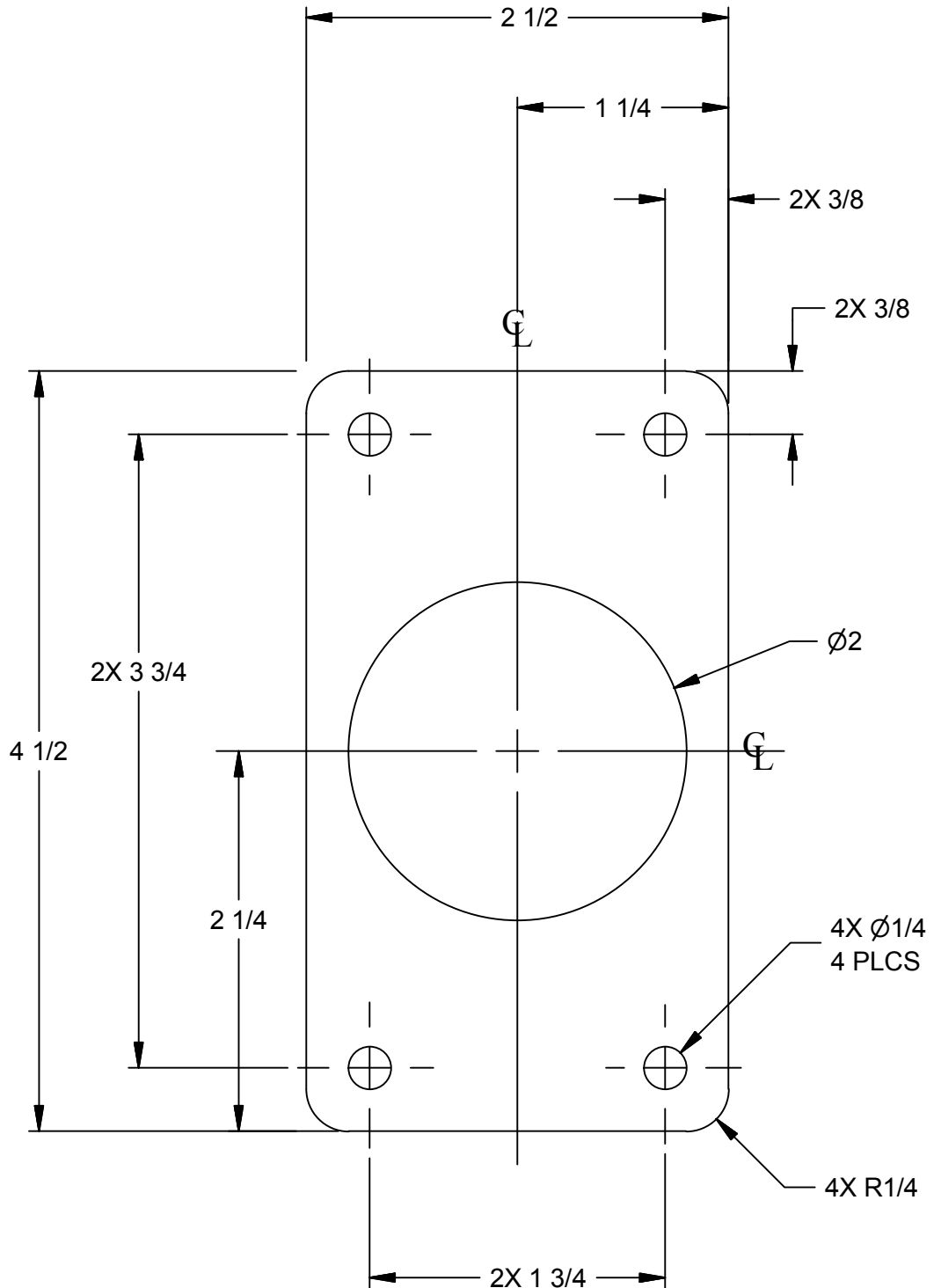
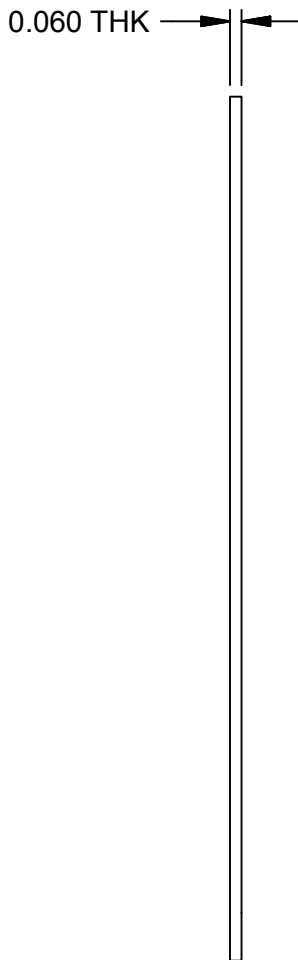


Trimco
SINCE 1949

3528 Emery Street
PO BOX 23277
Los Angeles, CA 90023-0277
(323)262-4191 www.trimcobbw.com
email:info@trimcobbw.com

PRODUCT

LEAD LINER FOR 1562
ESCUTCHEON



REVISION RECORD:
09/01/15 REVISION: REDRAWN IN CAD. 4X R1/4 WAS 4X CHAMFER,
SUPERCEDES 05/23/02 DWG #11403, DLS
4X Ø1/4 4 PLCS WAS: 4X Ø3/8 4 PLCS, SGH/JG, 09/08/15

PART NUMBER: 1592LLE

NOTE: This template is provided for use only on the job for which is was requested.
Trimco reserves the right to make design changes without notice. Trimco will
not be responsible for errors or damage caused by the use of out-of-date templates.

DATE

09/08/15