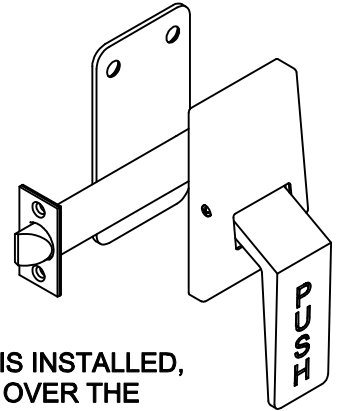
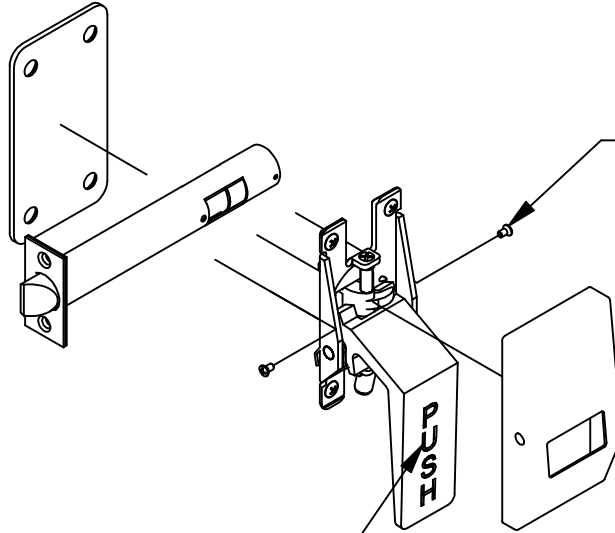


ADA AND UL COMPLIANT

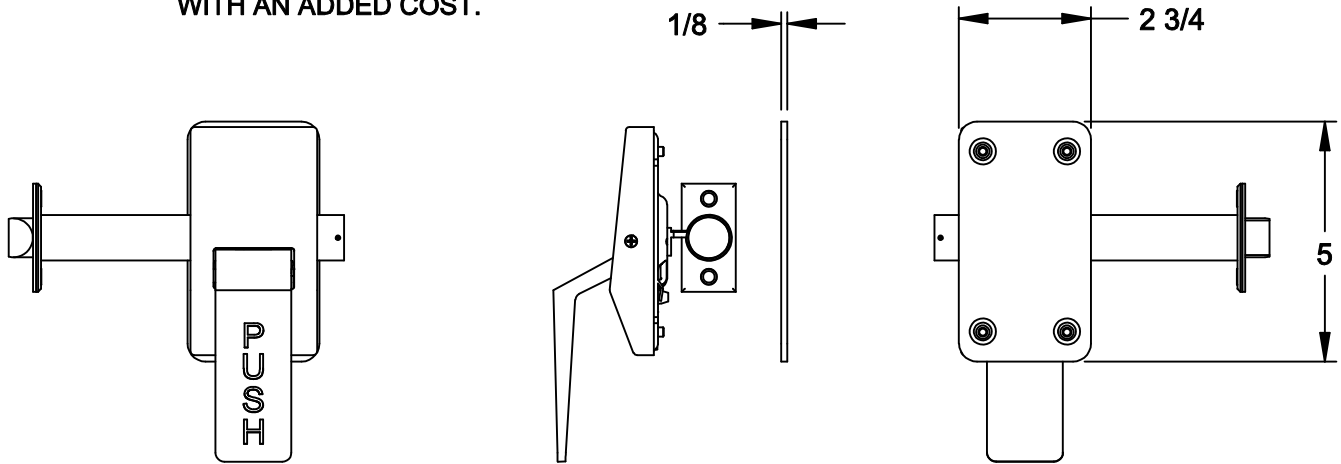
FEMALE HALF OF SEX BOLT
MOUNTED ON THIS SIDE



ONCE HANDLE IS INSTALLED,
PLACE COVER OVER THE
HANDLE ASSEMBLY AND INSTALL
WITH TWO (2) SCREWS PROVIDED



ENGRAVED TEXT IS OPTIONAL,
WITH AN ADDED COST.



SUPPLIED WITH FOUR (4) 1/4-20 SEX BOLTS FOR MOUNTING HANDLE AND PLATE - .
DOOR PREP FOR SEX BOLT - DRILL Ø5/16 HOLES. ALSO SUPPLIED WITH TWO (2) #8 X 3/4
COMBO SCREWS FOR MOUNTING THE LATCHBOLT.

SPECIFY HANDING, BACKSET AND STRIKE WHEN ORDERING.
ILLUSTRATION SHOWN IS RIGHT HAND PUSH LEVER WITH A 5" BACKSET LATCHBOLT.

FOR OUT-SWINGING DOORS USE PULL LEVER
FOR IN-SWINGING DOORS USE PUSH LEVER