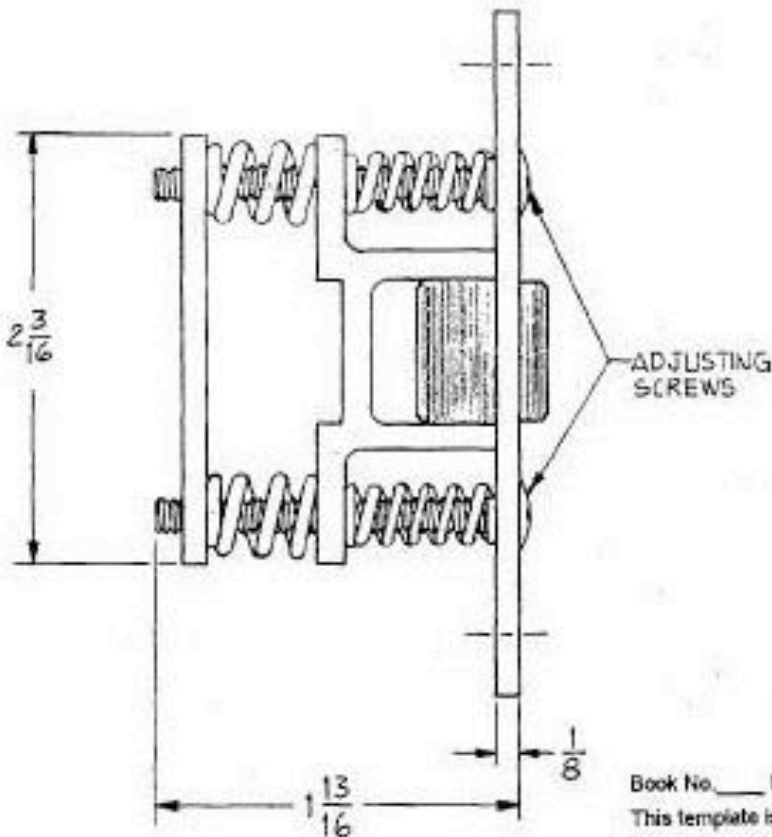
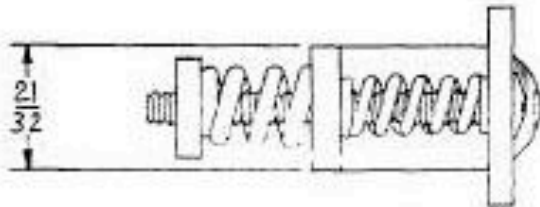


NOTES:

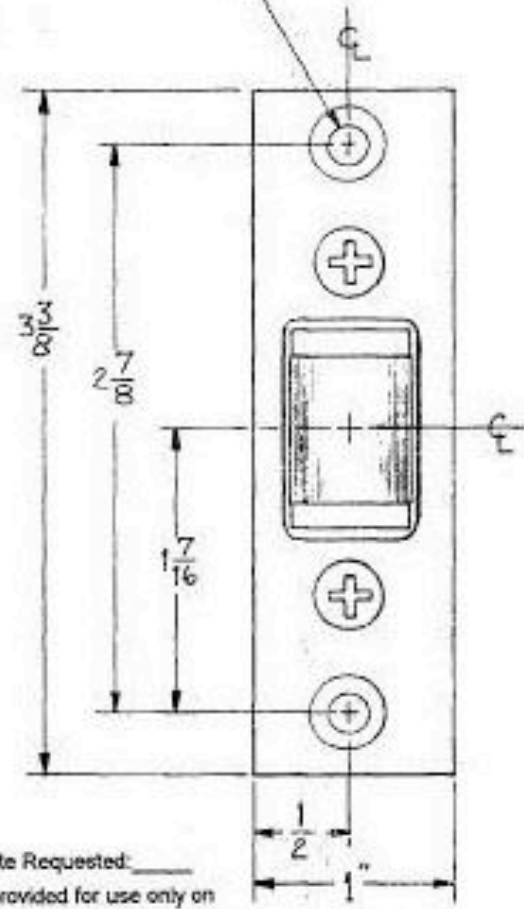
1. FOR STRIKES SEE DWG.# 11377,  
11396 AND #11397.

REVISIONS

LTR	DESCRIPTION	DATE	CHECKED
—	NEW DWG.	2-9-95	<i>[Signature]</i>



#10 x 1/4 FH, PH, WS.  
(2) PLACES



Book No. \_\_\_\_\_ Date Requested: \_\_\_\_\_  
 This template is provided for use only on  
 the job for which it was requested.  
 Trimco/BBW reserves the right to make  
 design changes without notice.

**Trimco / BBW**  
 Triangle Steel Manufacturing Company, Inc.  
 3528 Emery Street, P.O. Box 23277  
 Los Angeles, CA 90023, USA

SCALE \_\_\_\_\_  
 DRAWN BY T.A. 2-9-95

TITLE 1559 (BBW #1193)  
 HEAVY DUTY ROLLER LATCH  
 PART NO \_\_\_\_\_  
 DWG. NO. 11394