

TEMPLATE NO.

18947
SHT 1 OF 2

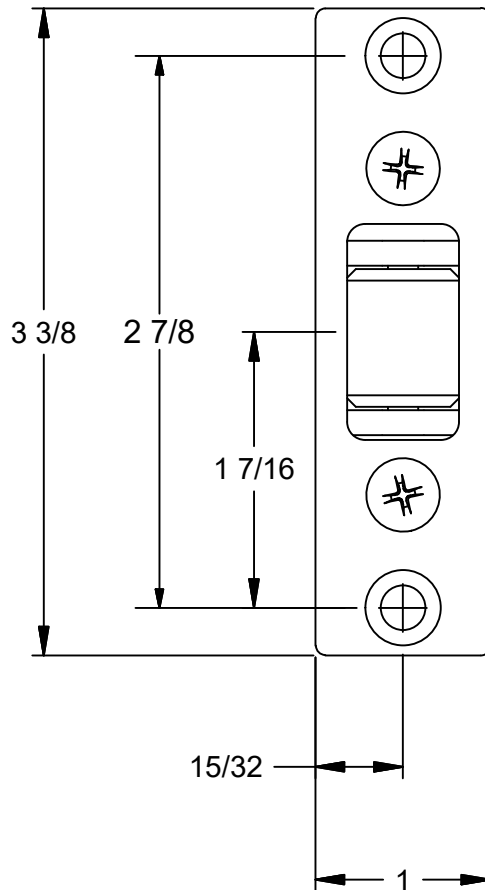
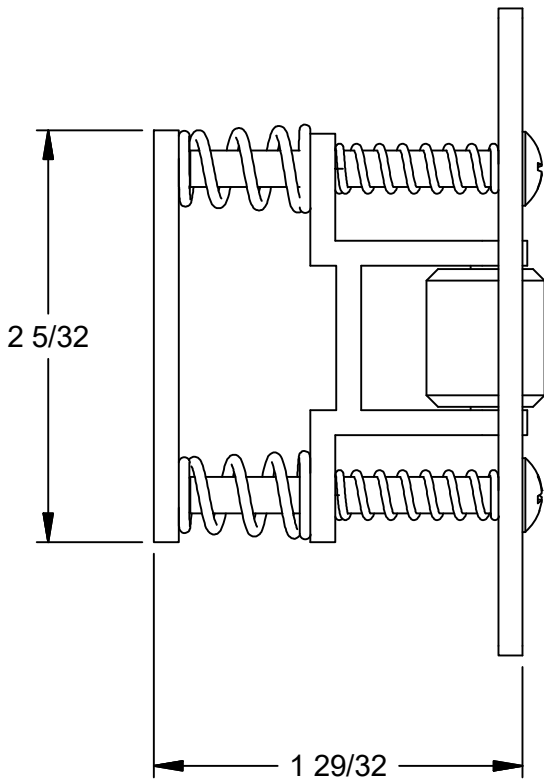
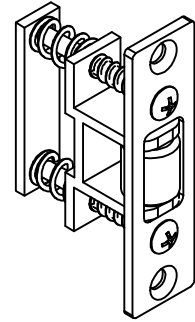
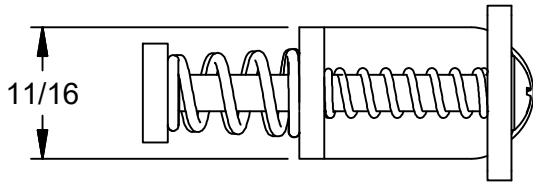


1351 Rocky Point Drive
Oceanside, CA 92056
(323)262-4191
www.TrimcoHardware.com
email:info@trimcohardware.com

PRODUCT

1559
HVY DUTY ROLLER LATCH

SEE SHEET 2 FOR DOOR PREP DETAIL.



SUPPLIED WITH TWO (2) #10 X 1-1/4 FLAT HEAD, PHILLIPS DRIVE WOOD SCREWS

NOTE: This template is provided for use only on the job for which is was requested. Trimco reserves the right to make design changes without notice. Trimco will not be responsible for errors or damage caused by the use of out-of-date templates.

DATE

06/09/20

TEMPLATE NO.

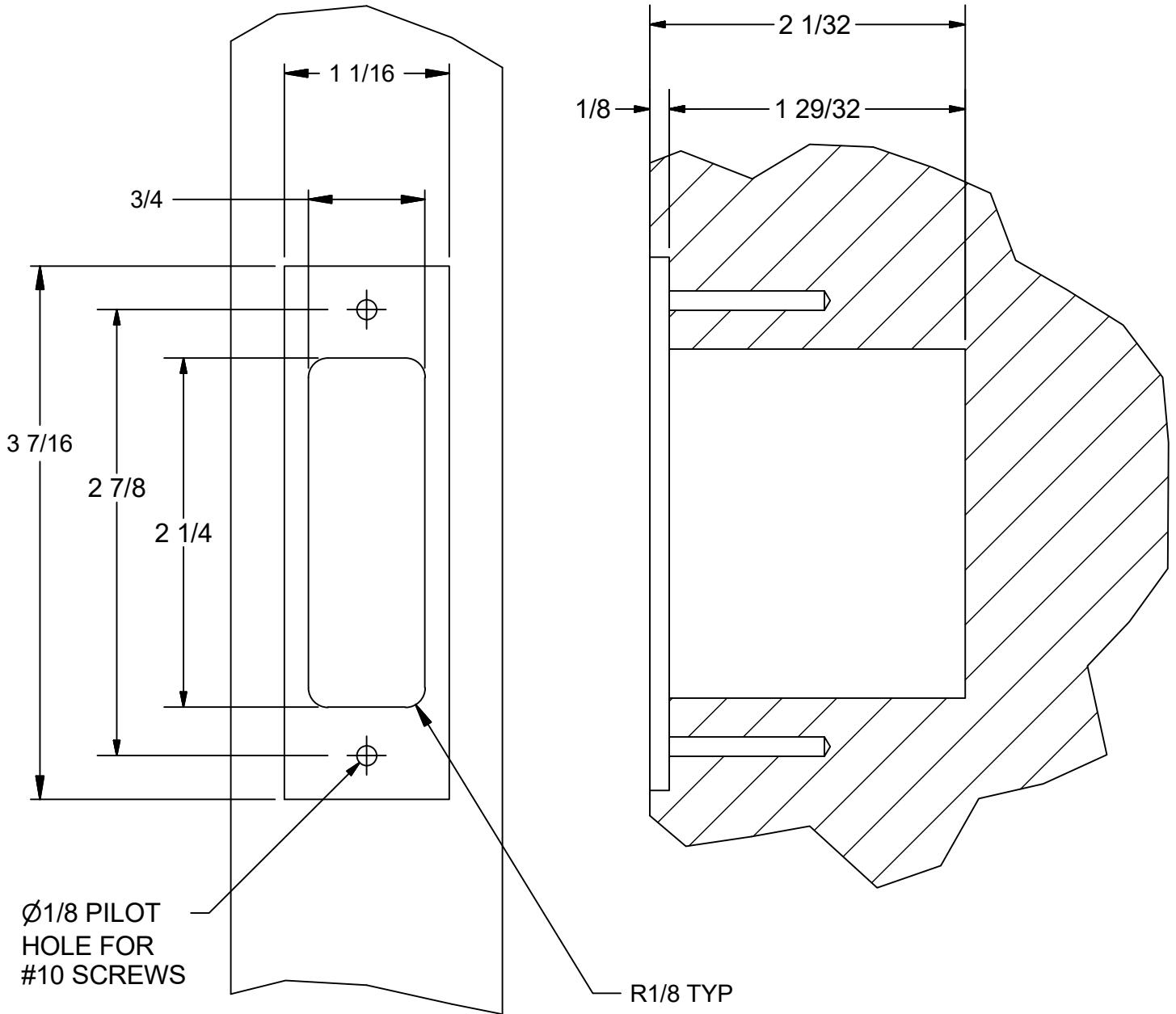
18947
SHT 2 OF 2



1351 Rocky Point Drive
Oceanside, CA 92056
(323)262-4191
www.TrimcoHardware.com
email:info@trimcohardware.com

PRODUCT

1559
HVY DUTY ROLLER LATCH



NOTE: This template is provided for use only on the job for which is was requested. Trimco reserves the right to make design changes without notice. Trimco will not be responsible for errors or damage caused by the use of out-of-date templates.

DATE

06/09/20