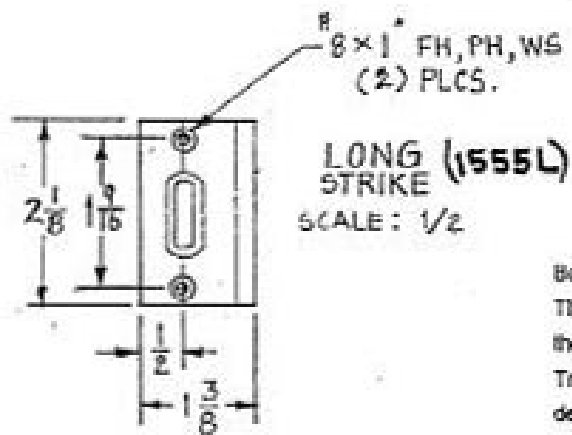
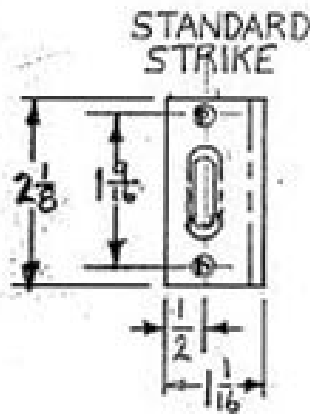
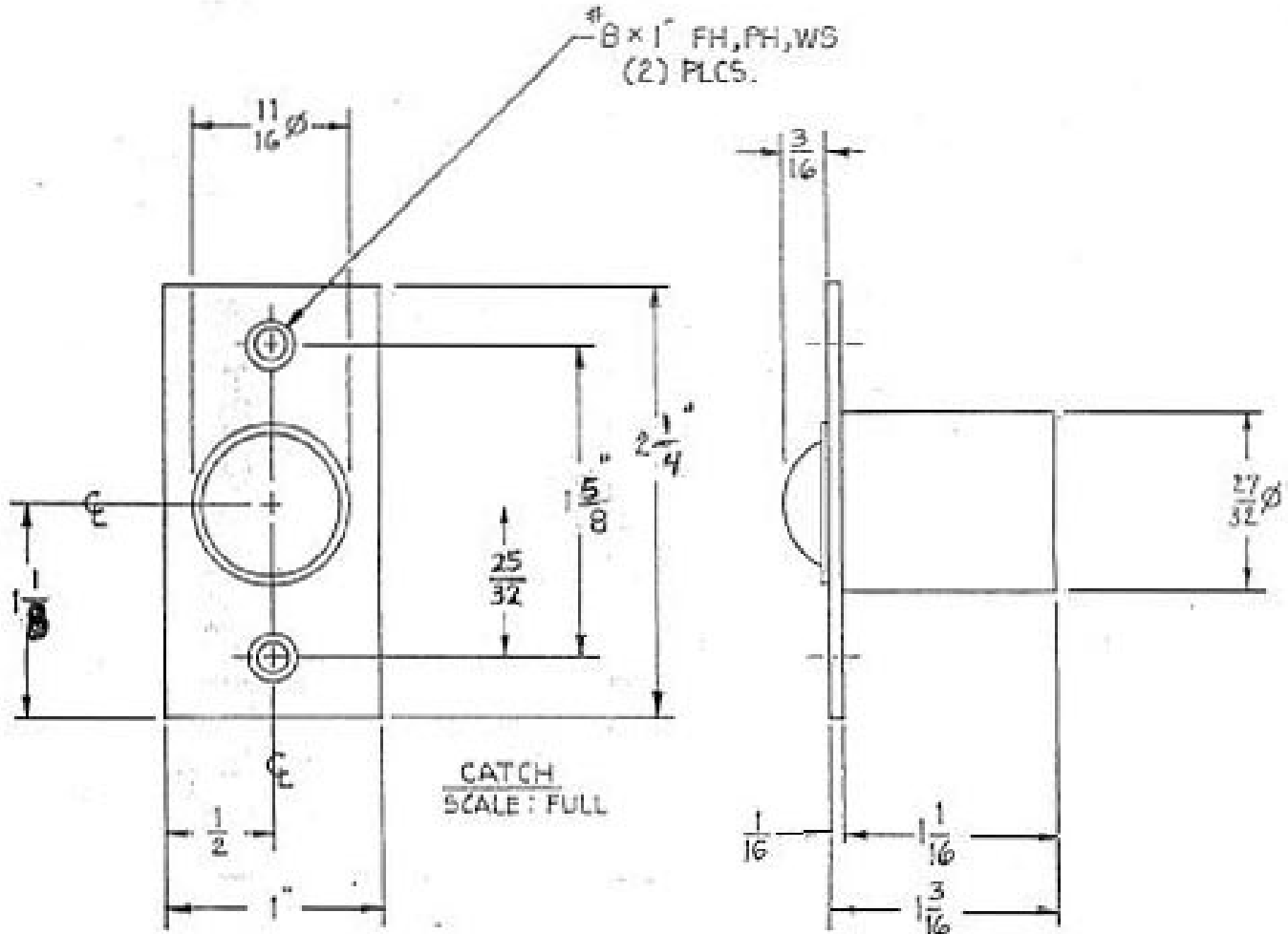


NOTES:

REVISIONS

LTR	DESCRIPTION	DATE	CHECKED
—	NEW DWG.	1-16-95	<i>[Signature]</i>

TEMP. REV. BY PLS 7-28-2001



Book No. \_\_\_\_\_ Date Requested: \_\_\_\_\_  
 This template is provided for use only on  
 the job for which it was requested.  
 Trimco/BBW reserves the right to make  
 design changes without notice.

**Trimco / BBW**  
 Trimco Ball Bearing Manufacturing Company, Inc.  
 3528 Emery Street, P.O. Box 23277  
 Los Angeles, CA 90023, USA

SCALE \_\_\_\_\_  
 DRAWN BY T.A. 1-16-95

TITLE CLOSET BALL CATCH  
 1555 WITH STANDARD STRIKE  
 1555L WITH LONG STRIKE  
 PART NO \_\_\_\_\_  
 DWG. NO. 11368