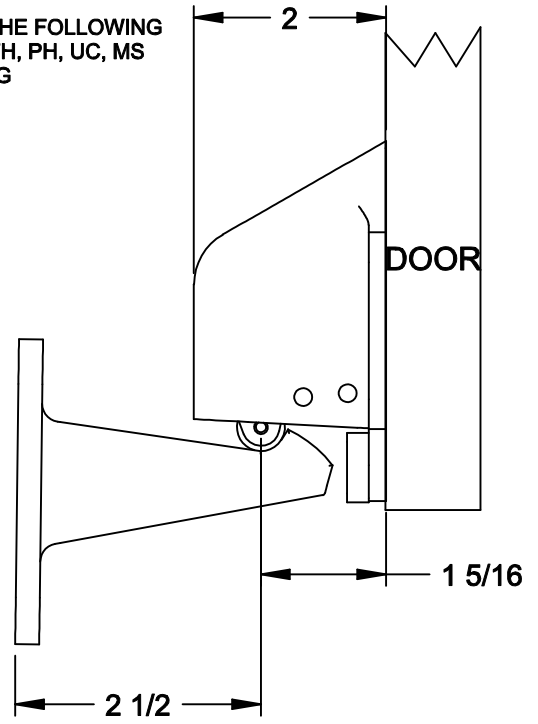
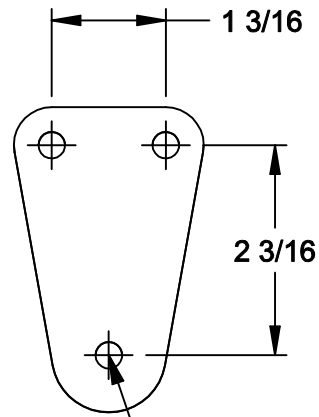
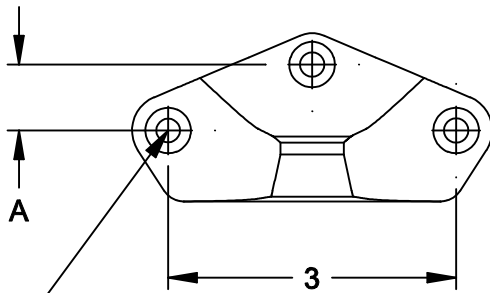


SUPPLIED WITH: FOUR (4) EACH OF THE FOLLOWING
#14X1-1/2 FH, PH, SMS, 1/4-20X1-1/4 FH, PH, UC, MS
AND #14X1-1/2 PLASTIC BANTAM PLUG



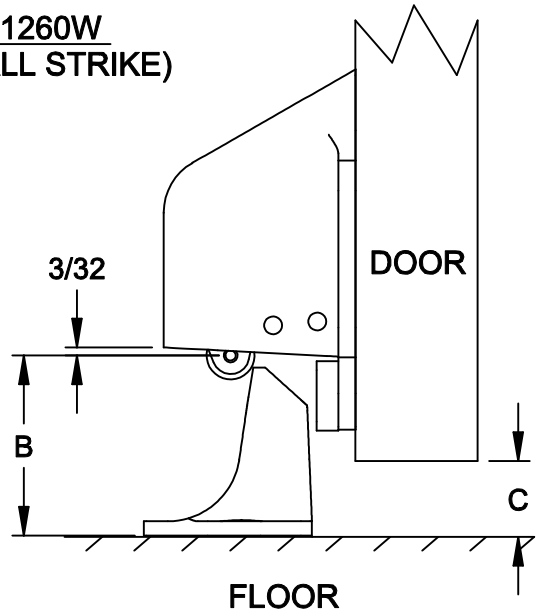
1260 BODY
(CENTERLINE OF BODY SHOULD
BE APPROX. 6" FROM DOOR EDGE)

SUPPLIED WITH THREE (3) EACH OF THE FOLLOWING:
#14X1-1/2 FH, PH, SMS, 1/4-20X1-1/4 FH, PH, UC, MS,
1/4-20 EXP. SHIELD AND #14 X 1-1/2 PLATIC BANTUM PLUG



SUPPLIED WITH THREE (3) EACH OF THE FOLLOWING:
#1 X1-1/2 FH, PH, SMS, 1/4-20X1-1/4 FH, PH, UC, MS,
1/4-20 EXP. SHIELD AND #14X1-1/2 PLASTIC BANTUM PLUG

1260W
(WALL STRIKE)



1261, 1263, 1265 AND 1267
(FLOOR STRIKES)

PART #	DIM A	DIM B	DIM C (CLEARANCE FROM FLOOR TO DOOR BOTTOM)
1260W	SEE ABOVE		
1261	11/16	1-1/4	1/2
1263	11/16	1-3/4	9/16 - 1-1/16
1265	1-1/8	2-1/4	1-1/8 - 1-9/16
1267	1-1/8	2-3/4	1-5/8 - 2-1/16

TO INSTALL - SWING DOOR TO BE HELD OPEN.
POSITION HOLDER BODY ON DOOR AND STRIKE
AS SHOWN IN DRAWING. LOCATE SCREW HOLES.
ROLLER AND STRIKE SHOULD BE IN COMPLETE
CENTER ALIGNMENT.

BODY SAME FOR ALL STRIKE COMBONATIONS.

NOTE: This template is provided for use only on the job for which is was requested.
Trimco reserves the right to make design changes without notice. Trimco will
not be responsible for errors or damage caused by the use of out-of-date templates.

DATE

10/6/08