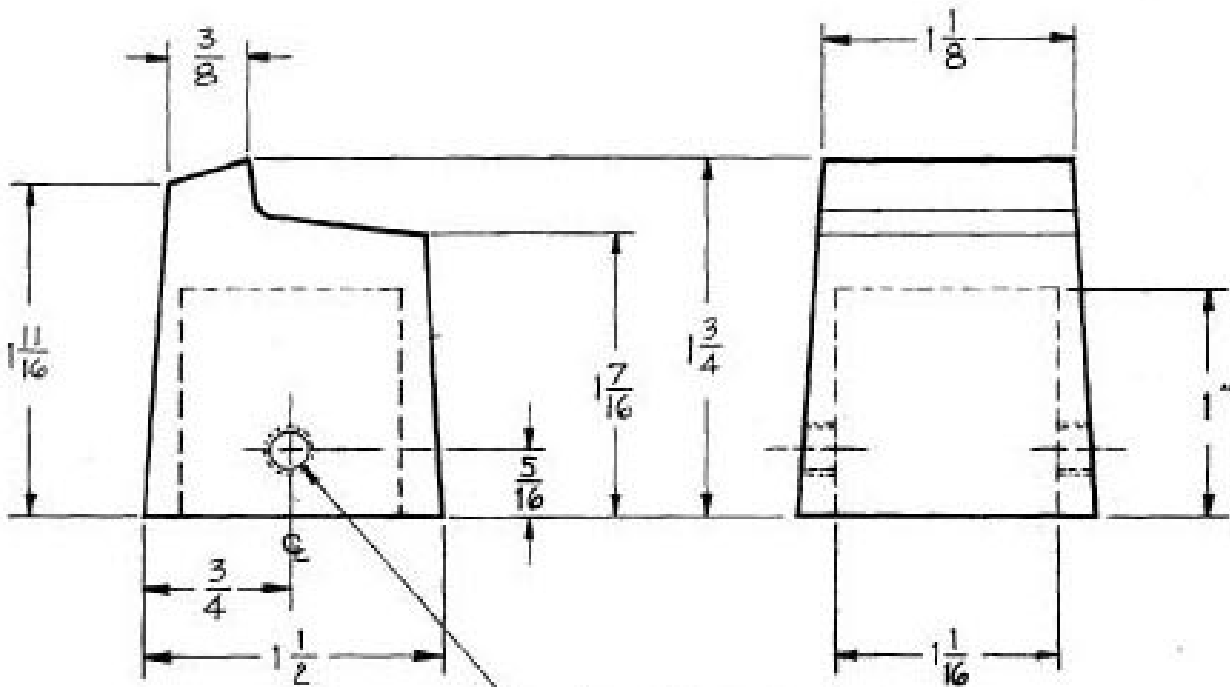
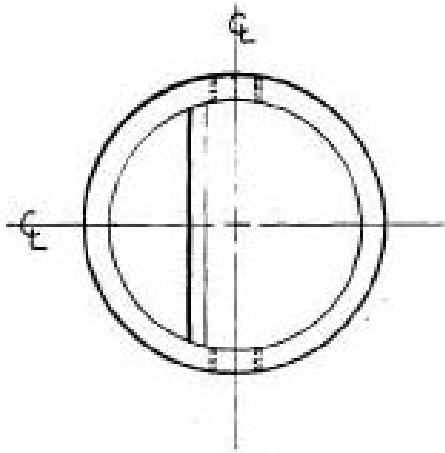


NOTES:

1. SEE DWG. 11380 FOR  
HOLDER BODY DETAILS.

REVISIONS

LTR	DESCRIPTION	DATE	CHECKED
—	NEW DWG.	3-1-95	<i>[Signature]</i>
A	REVISED	3-15-95	<i>[Signature]</i>



$\frac{1}{4}$ -28 x  $\frac{5}{16}$  SET SCREWS  
(2) PLCS.

Book No. \_\_\_\_\_ Date Requested: \_\_\_\_\_  
This template is provided for use only on  
the job for which it was requested.  
Trimco/BBW reserves the right to make  
design changes without notice.

**Trimco / BBW**  
Triangle Brass Manufacturing Company, Inc.  
3528 Emery Street, P.O. Box 23277  
Los Angeles, CA 90023, USA

SCALE \_\_\_\_\_  
DRAWN BY T.A. 3-1-95

TITLE  
1260 P (BBW F8080)  
PIPE ADAPTER STRIKE  
PART NO \_\_\_\_\_  
A DWG. NO. 11411