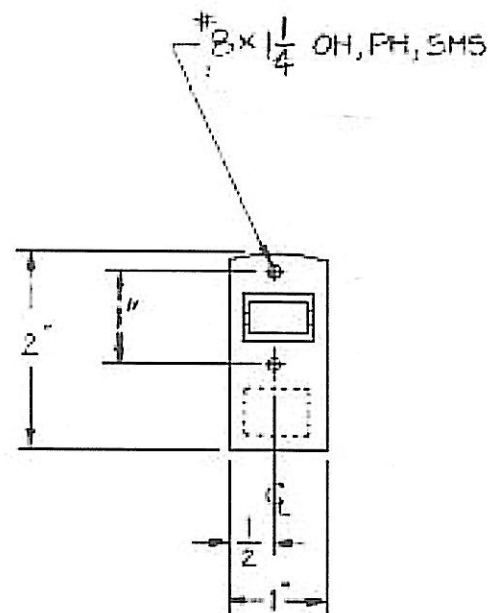
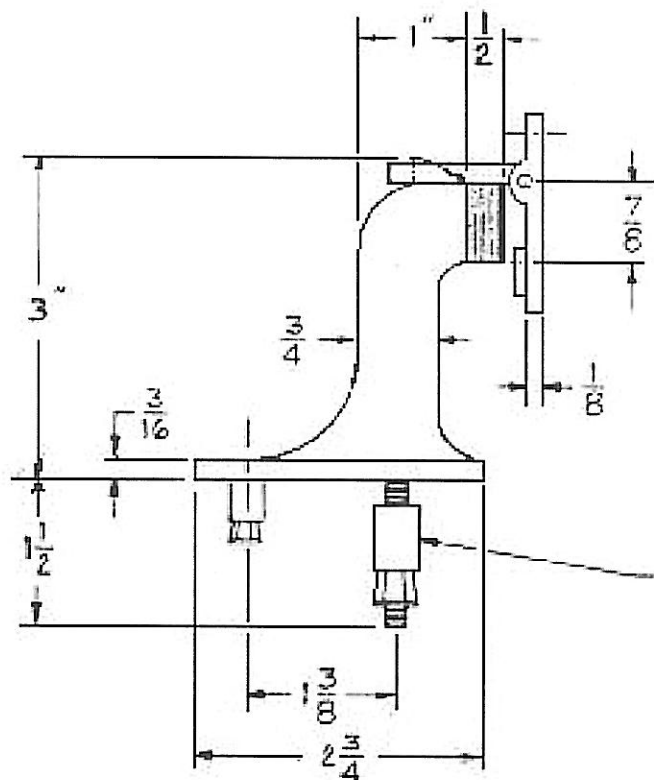
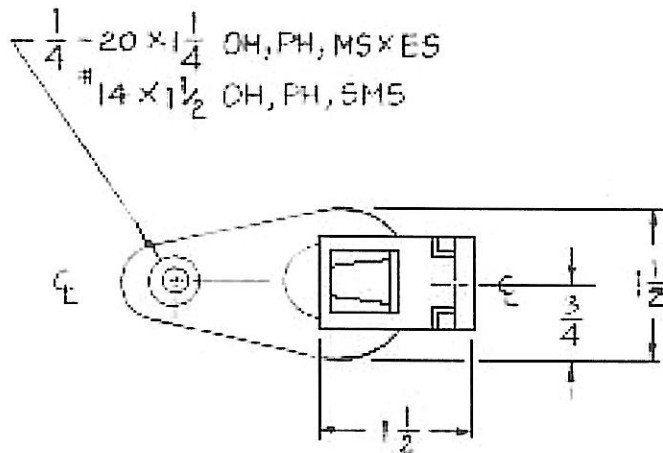


NOTES:

1. COMBINATION PACKAGED FOR CONCRETE OR WOOD APPLICATION.

REVISIONS

LTR	DESCRIPTION	DATE	CHECKED
-	NEW DWG.	3-17-95	<i>[Signature]</i>
A	Removed #8-32 x 1/2 OH	11-9-10	<i>[Signature]</i>



Trimco / BBW
 Triangle Street Manufacturing Company, Inc.
 352B Emery Street, P.O. Box 23277
 Los Angeles, CA 90023, USA

SCALE

TITLE

1234 (BBW P/N F9076X)
 FLOOR STOP & HOLDER

PART NO

DRAWN BY T.A. 3-17-95

A DWG. NO. 11421