

FOR 1229A AND 1229B SILENCERS:

ON SINGLE DOOR FRAMES, INSTALL 3 SILENCERS IN VERTICAL STOP STRIP, AT LOCATIONS SHOWN IN FIGURE A. WHERE PAIRS OF DOORS CONTACT THE TOP STOP STRIP ONLY, INSTALL 4 SILENCERS, 2 FOR EACH DOOR. EACH SIDE OF THE STOP STRIP CENTER. NORMALLY ALLOW 1/16" CLEARANCE BETWEEN DOOR AND STOP STRIP. WHEN EQUIPPED WITH DOOR CLOSERS ALLOW 1/8" CLEARANCE.

----CAUTION----

AVOID GETTING PAINT OR VARNISH ON SILENCERS WHEN DOORS ARE BEING FINISHED.

1229A INSTALLATION:

INSERT BLUNT END OF 3/32" DIAMETER WIRE OR TOOL (FURNISHED), INTO THE HOLE IN CENTER OF SILENCER. MOISTEN CONE PORTION AND INSERT INTO 1/4" DIAMETER HOLE (OR ALTERNATELY Ø 9/32 HOLE) IN STOP STRIP OF FRAME. PUSH SLOWLY WITH A CIRCULAR MOTION, WITH SUFFICIENT PRESSURE TO SET SILENCER IN FRAME.

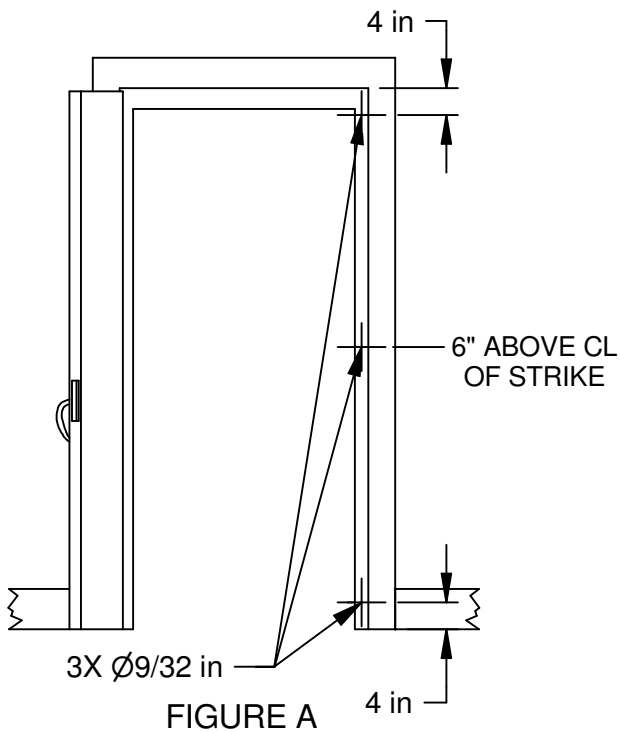
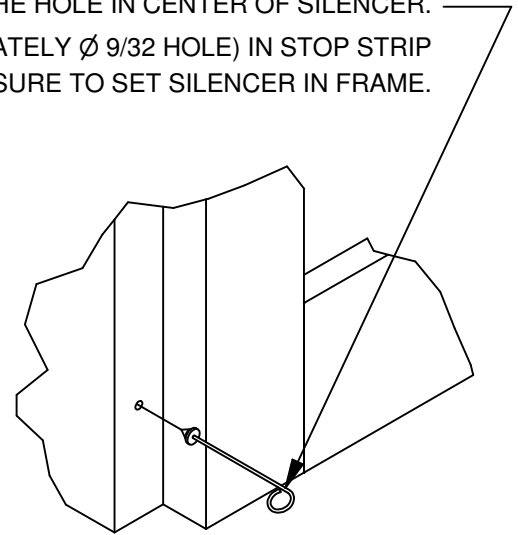
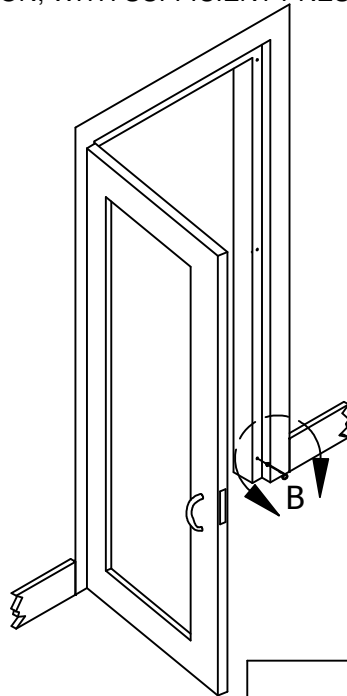
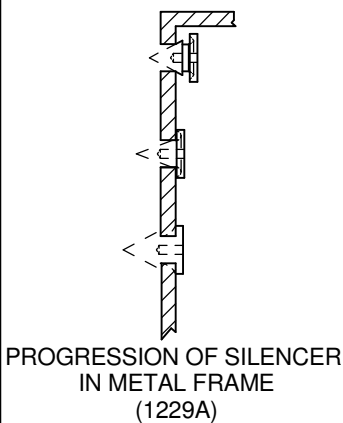


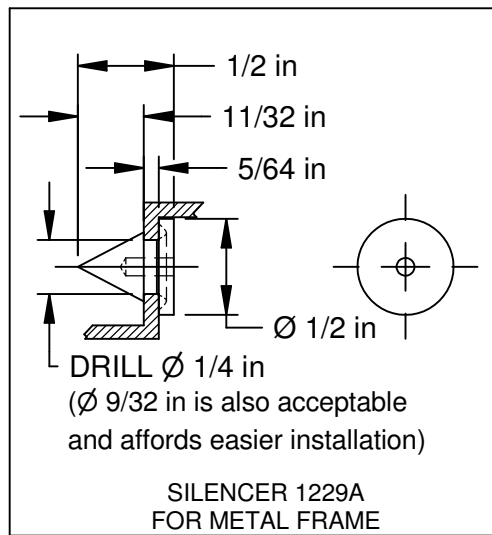
FIGURE A



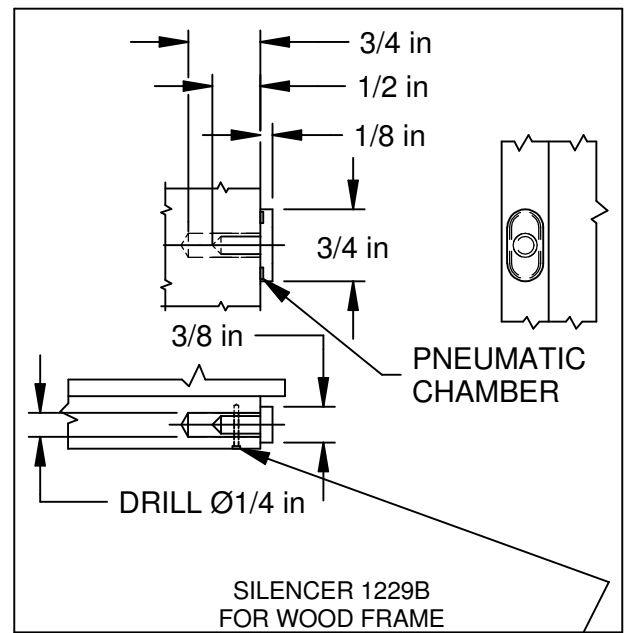
**DETAIL B
(FOR 1229A ONLY)**



**PROGRESSION OF SILENCER
IN METAL FRAME
(1229A)**



**SILENCER 1229A
FOR METAL FRAME**



**SILENCER 1229B
FOR WOOD FRAME**

AFTER DRILLING HOLES IN STOP STRIP AT LOCATIONS IN FIGURE A, INSTALL DOOR SILENCERS IN POSITIONS SHOWN, TO ANCHOR SECURELY, DRIVE SMALL BRAD INTO STOP STRIP AND THRU STEM OF SILENCERS TO PREVENT REMOVAL.

REVISION RECORD:
DRAWING SUPERSEDES TEMPLATE # 11543, SGH/JG, 10/23/14
ADDED "(OR ALTERNATELY 9/32 HOLE)" TO 1229A INSTALLATION
INSTRUCTIONS, JWG, 12-16-14

NOTE: This template is provided for use only on the job for which is was requested. Trimco reserves the right to make design changes without notice. Trimco will not be responsible for errors or damage caused by the use of out-of-date templates.

DATE

12/16/14