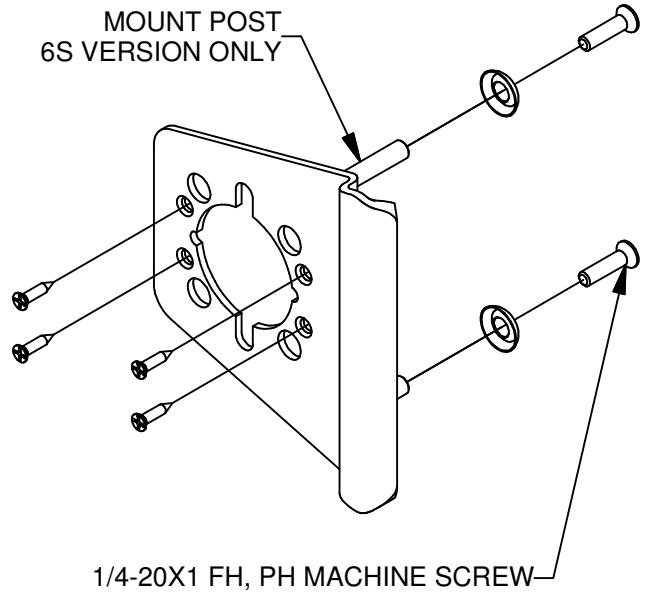
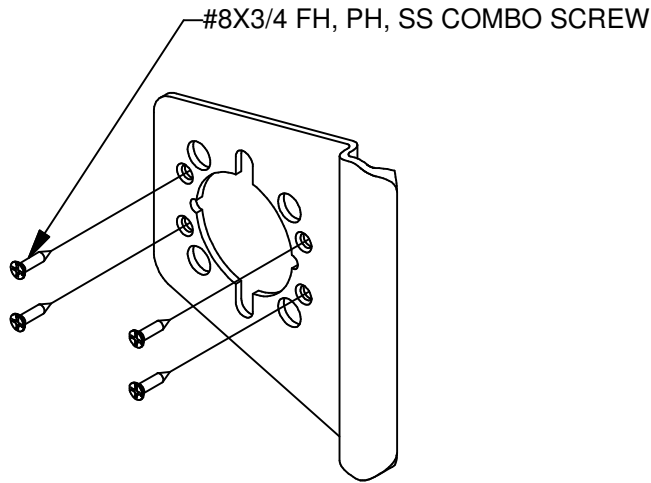


# 1082-6

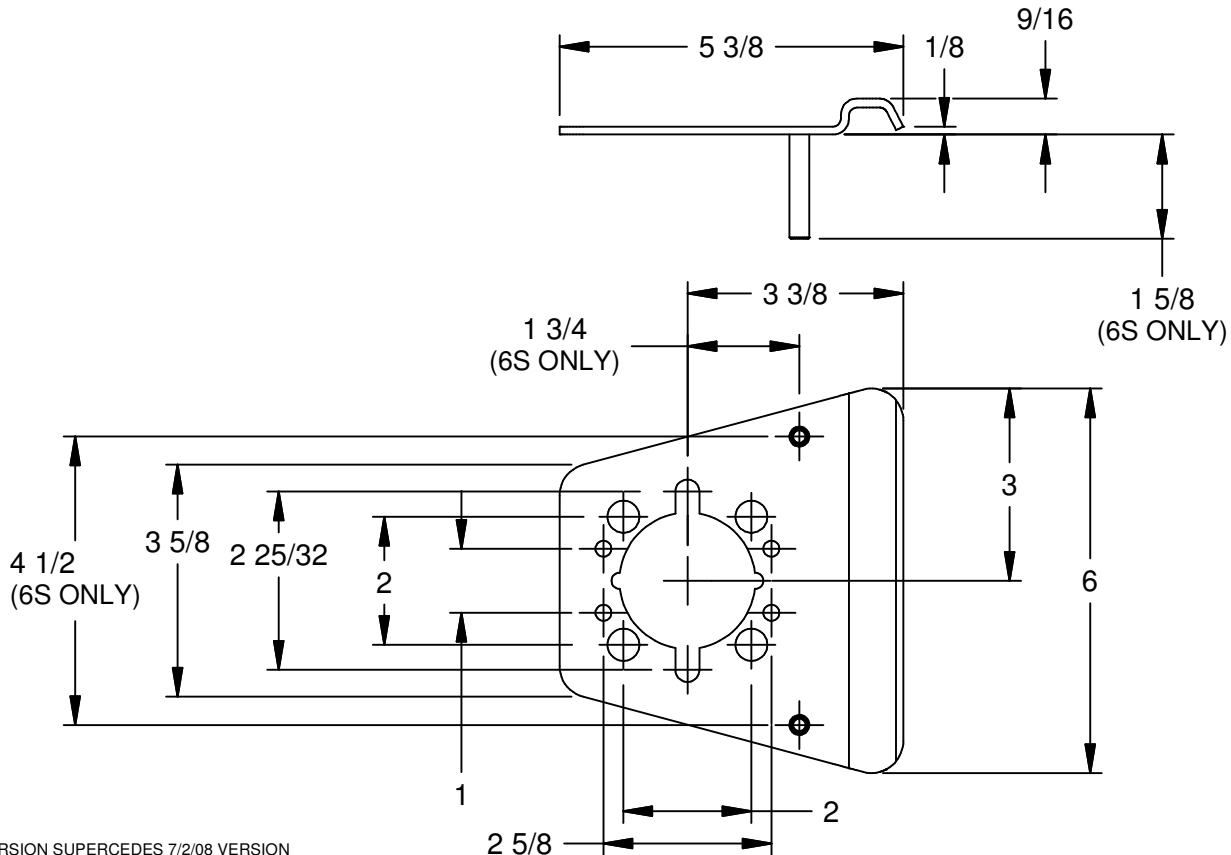
# 1082-6S



**INSTALLATION:**

ALIGN Ø2 1/8 HOLE IN DOOR WITH Ø2 1/8 HOLE ON PLATE.  
 INSTALL FOUR (4) #8 WOOD SCREWS AS SHOWN.  
 INSTALL ALL ADDITIONAL DOOR HARDWARE AS REQUIRED.  
 FOR 6S VERSION - DRILL TWO (2) Ø1/2 HOLES FOR POSTS WHERE SHOWN,  
 INSTALL 1/4-20 SCREWS AND WASHERS AS SHOWN.

\*\*\* MUST USE Ø3 1/2 OR LARGER ROSE WHEN USING THESE PRODUCTS.



8/5/14 VERSION SUPERCEDES 7/2/08 VERSION  
 - ADDED PART #1082-6 TO PRODUCT TITLE BLOCK, MF/JG

**NOTE:** This template is provided for use only on the job for which is was requested.  
 Trimco reserves the right to make design changes without notice. Trimco will  
 not be responsible for errors or damage caused by the use of out-of-date templates.

DATE

8/5/14