



**Trimco**  
SINCE 1949

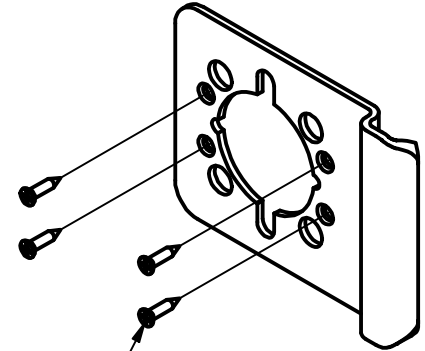
**PRODUCT:**

1082-4 ANTI-VANDAL DEVICE

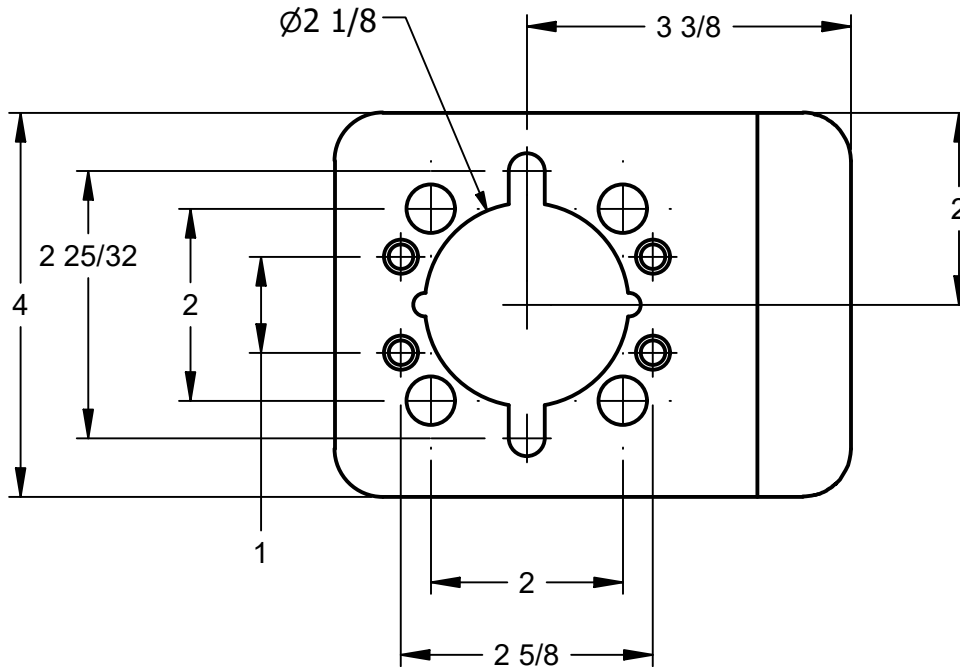
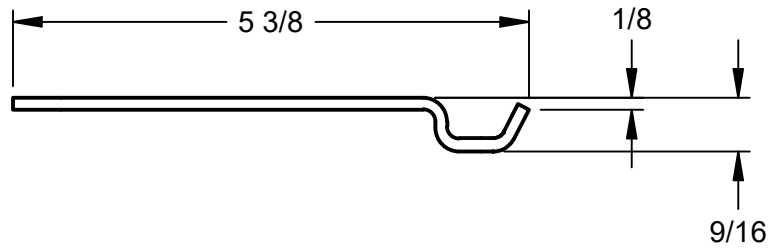
**INSTALLATION:**

ALIGN  $\varnothing 2 \frac{1}{8}$ " HOLE IN DOOR WITH  $\varnothing 2 \frac{1}{8}$ " HOLE IN PLATE.  
INSTALL FOUR (4) #8 WOOD SCREWS AS SHOWN.  
INSTALL ALL ADDITIONAL DOOR HARDWARE AS REQUIRED.

\*\*\* MUST USE  $\varnothing 3 \frac{1}{2}$  OR LARGER ROSE WHEN USING THIS PRODUCT.



#8X3/4 FH, PH, SS COMBO SCREW



**TEMPLATE#** 18842

**SHEET**

**1 OF 1**

**REVISION#** 2

APPROVED ON: 1/20/2023

This template is provided for use only on the job for which it was requested. Trimco reserves the right to make design changes without notice. Trimco will not be responsible for errors or damage caused by the use of out-of-date templates.

TRIANGLE BRASS MANUFACTURING  
1351 ROCKY POINT DRIVE  
OCEANSIDE, CA 92056  
WWW.TRIMCOHARDWARE.COM