

TEMPLATE NO.

17708
SHT 1 OF 1

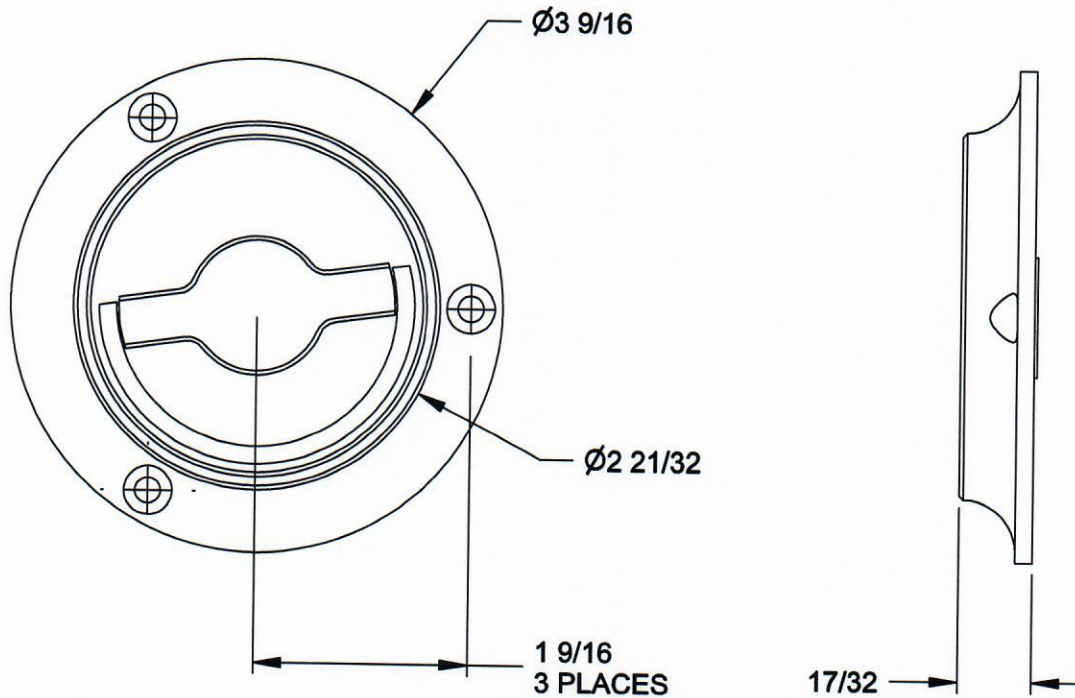
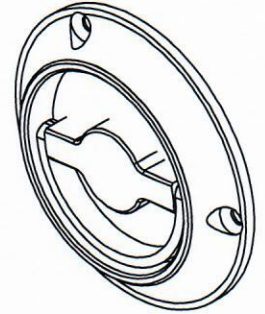


Trimco

3528 Emery Street
PO BOX 23277
Los Angeles, CA 90023-0277
(323)262-4191 www.trimcobbw.com
email:info@trimcobbw.com

PRODUCT

1066S FLUSH HANDLE



SUPPLIED WITH THREE (3) #8 X 1 OVAL HEAD, PHILLIPS DRIVE SHEET METAL MOUNTING SCREWS AND THREE (3) #8 X 5/8 OVAL HEAD, PHILLIPS DRIVE SHEET METAL MOUNTING SCREWS

THE SPINDLE FOR THIS HANDLE MUST BE BOOKED SEPARATLY. REFER TO ITEM 17745-ZZZ.000.

NOTE: This template is provided for use only on the job for which is was requested. Trimco reserves the right to make design changes without notice. Trimco will not be responsible for errors or damage caused by the use of out-of-date templates.

DATE

7/13/06