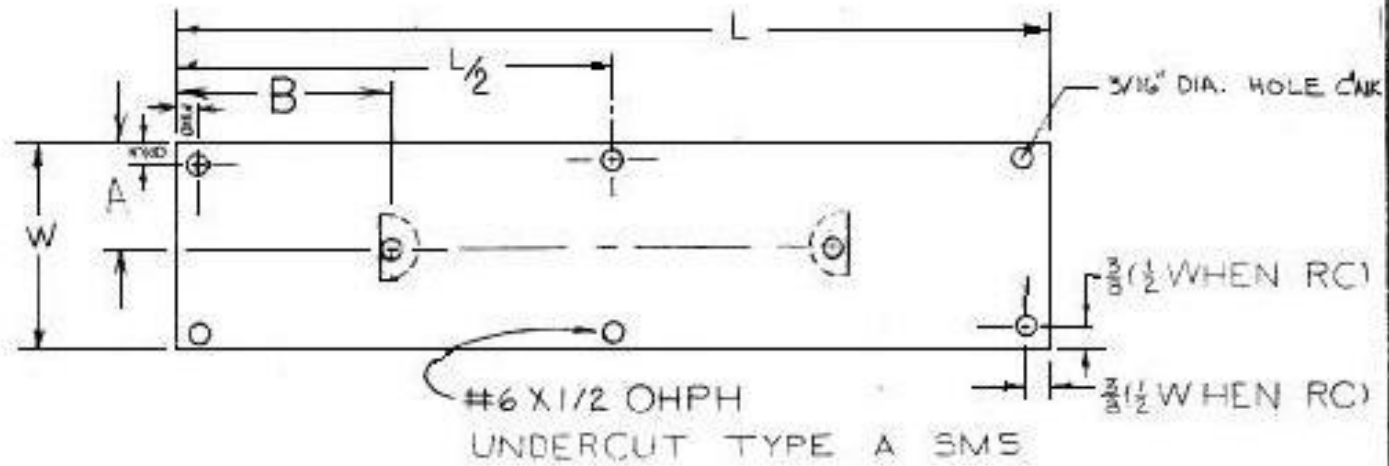
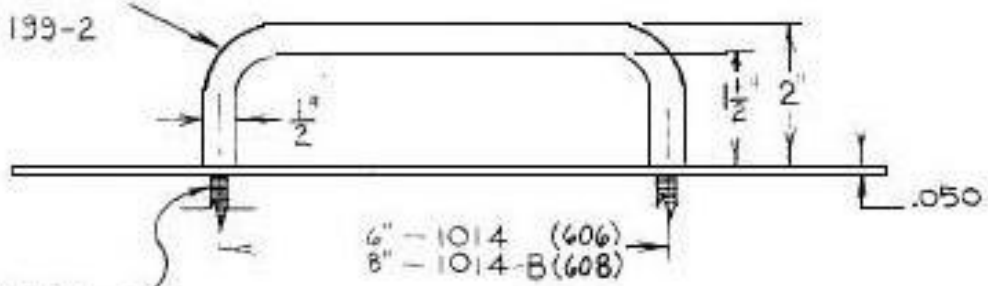


REVISED: 3-27-95

REVISED: 12-19-86



GRIP: 1014 ; 1199-1
1014B ; 1199-2



1/4-20 X 2-1/4 TB
X #14 WASHER

NOTE: DO NOT PREDRILL DOOR

PULL PL.	PUSH PL.				1014	1014B
		W	L	A	B	B
1014-2	1001-2	3-1/2	15	1-3/4	4-1/2	3-1/2
1014-3	1001-3	4	16	2	5	4

DWG NO. 11510

Trimco / BBW
Orange Street Manufacturing Company, Inc.
3528 Emery Street, P.O. Box 23277
Los Angeles, CA 90023, USA

1014
PULL PLATE
DR. BY: L. R.

Book No. Date Requested:
This template is provided for use only on the job for which it was requested.
Trimco/BBW reserves the right to make design changes without notice.