

TEMPLATE NO.

20912  
SHT 1 OF 1



**Trimco**  
SINCE 1949

1351 Rocky Point Dr  
Oceanside, CA 90256  
(323)262-4191  
www.TrimcoHardware.com

PRODUCT

AP400J OFFSET SQUARE LADDER  
PULL WITH MIDPOST TEMPLATE

PART NUMBER: \_\_\_\_\_

DOOR TYPE (CIRCLE ONE): HOLLOW METAL | WOOD

MOUNTING TYPE:   J-MOUNT  

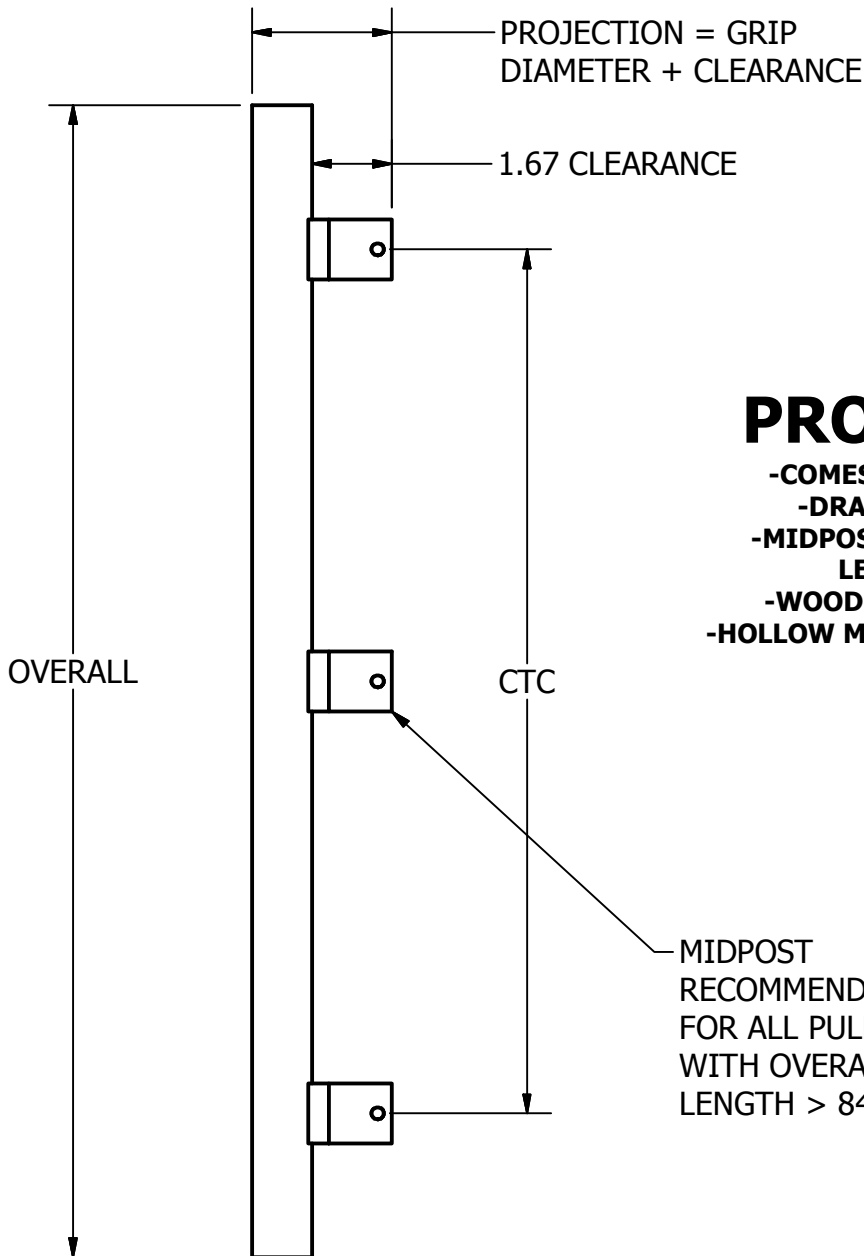
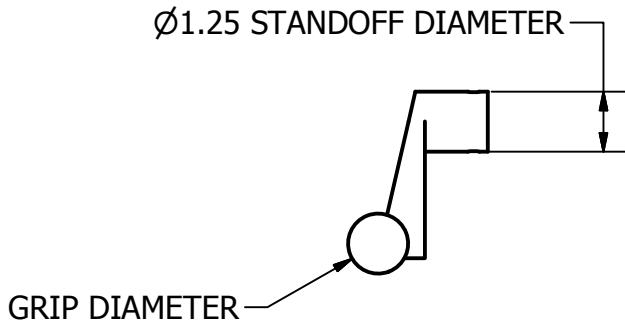
GRIP DIAMETER: \_\_\_\_\_

DOOR THICKNESS: \_\_\_\_\_

OVERALL: \_\_\_\_\_

CTC: \_\_\_\_\_

FINISH: \_\_\_\_\_



### PRODUCT NOTES:

- COMES WITH MOUNTING HARDWARE
- DRAWING MAY NOT BE TO SCALE
- MIDPOST RECOMMENDED FOR OVERALL LENGTH GREATER THAN 84"
- WOOD DOORS COME WITH BUSHINGS
- HOLLOW METAL DOORS COME WITH RIV-NUTS

MIDPOST RECOMMENDED FOR ALL PULLS WITH OVERALL LENGTH > 84"

NOTE: This template is provided for use only on the job for which it was requested. Trimco reserves the right to make design changes without notice. Trimco will not be responsible for errors or damage caused by the use of out-of-date templates.

DATE | REVISION

7/29/19 | 02