



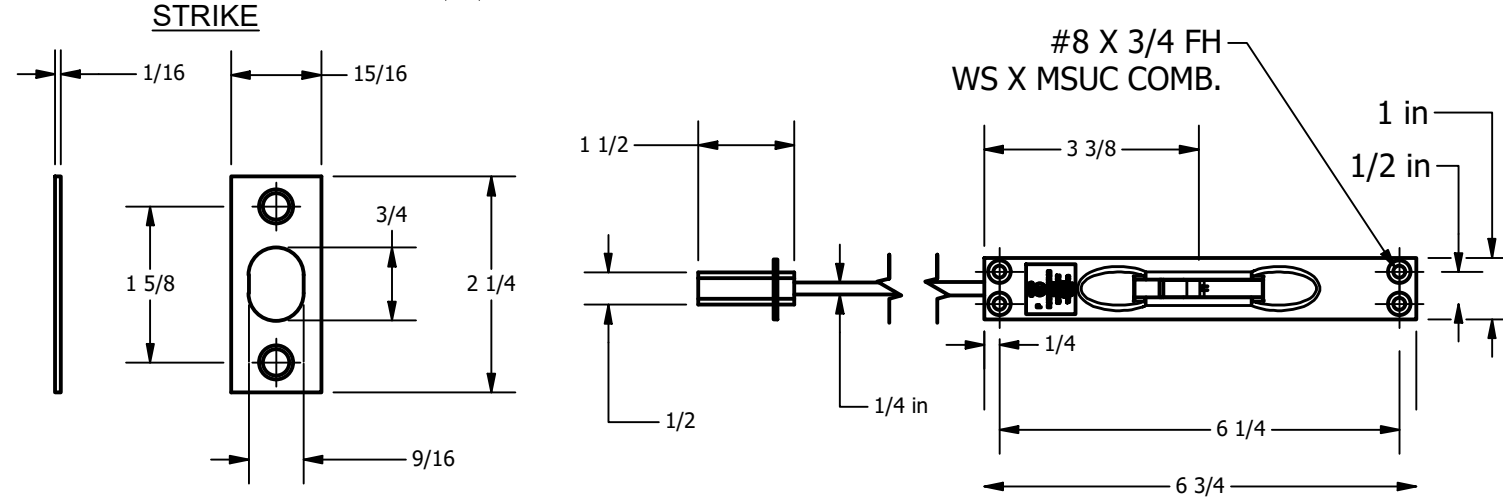
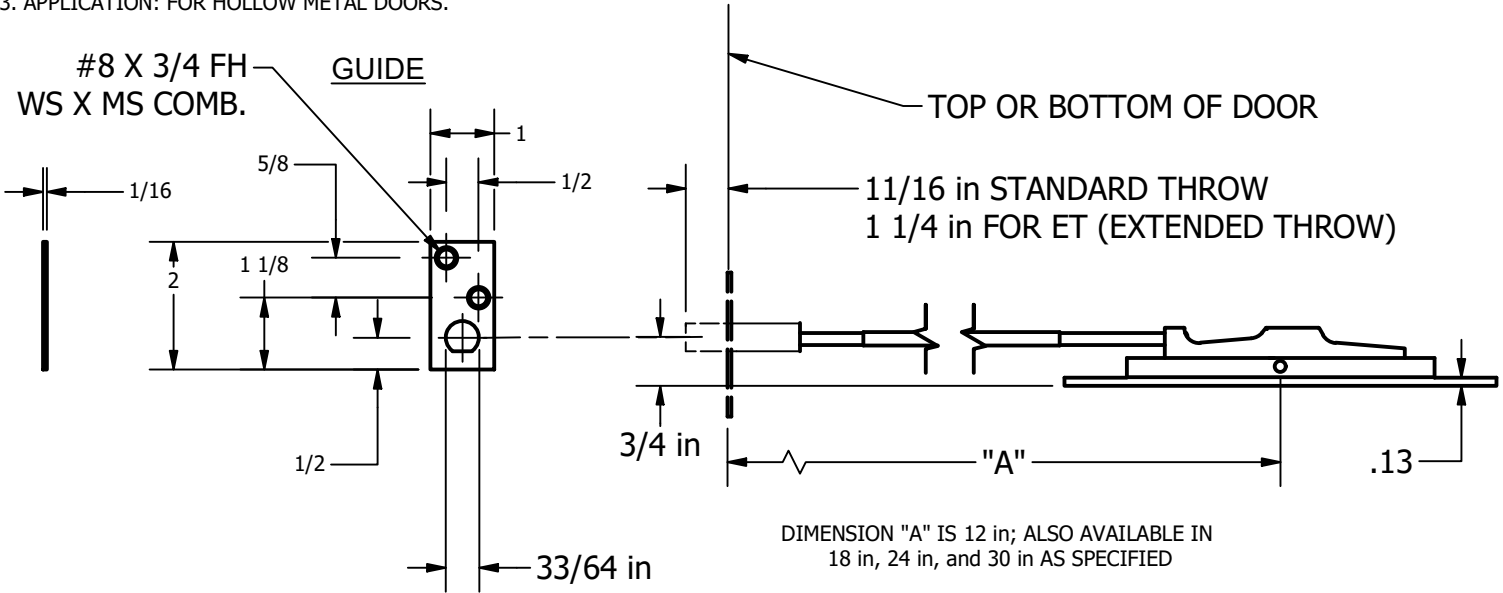
Trimco
SINCE 1949

PRODUCT:

3917, 3917 ET MANUAL FLUSHBOLT

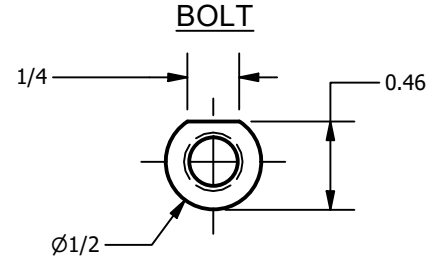
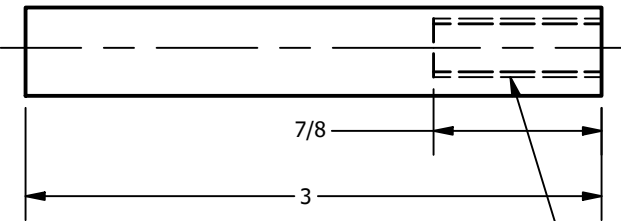
NOTES:

1. THIS CONFORMS TO AMERICAN STANDARD (A.S.A.) SPECIFICATION A1154-1359.
2. SUPPLIED WITH 1-1/2 IN LONG BOLTHEAD AS STANDARD.
3. APPLICATION: FOR HOLLOW METAL DOORS.



OPTIONAL 3917-3B BOLTHEAD

3917 ET is not UL Listed
PATENT # 4315647



1/4-20 UNC - 2B

TEMPLATE# 19658

SHEET

1 OF 1

REVISION# 01

APPROVED ON: 5/26/2023

This template is provided for use only on the job for which it was requested. Trimco reserves the right to make design changes without notice. Trimco will not be responsible for errors or damage caused by the use of out-of-date templates.

TRIANGLE BRASS MANUFACTURING
1351 ROCKY POINT DRIVE
OCEANSIDE, CA 92056
WWW.TRIMCOHARDWARE.COM