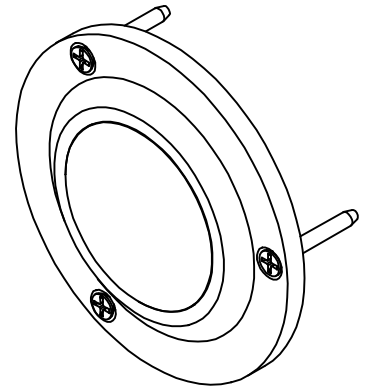
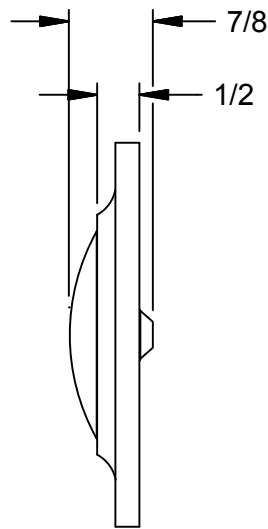
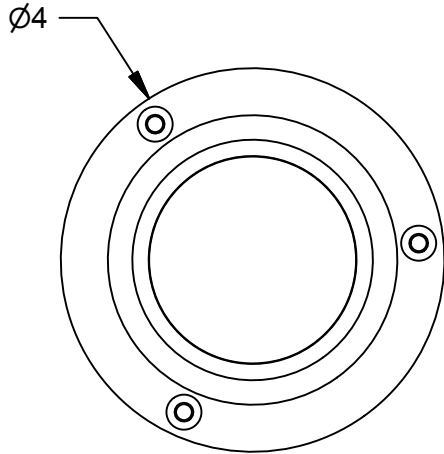


NOTES:

1. FORMERLY PRODUCT #1277/79
2. COMBO PACK INCLUDED



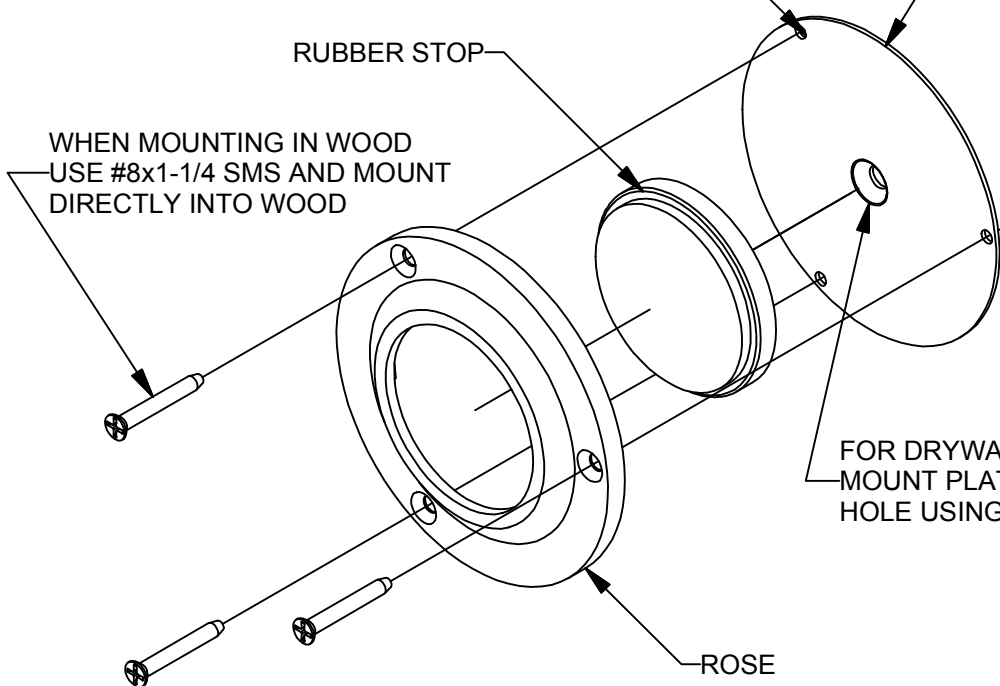
USE #6 X 1/4 SMS TO MOUNT ROSE TO MOUNTING PLATE WHEN MOUNTING PLATE IS USED

MOUNTING PLATE FOR DRYWALL AND MASONRY APPLICATIONS ONLY

RUBBER STOP

WHEN MOUNTING IN WOOD USE #8x1-1/4 SMS AND MOUNT DIRECTLY INTO WOOD

FOR DRYWALL AND MASONRY APPLICATION MOUNT PLATE FIRST THROUGH CENTER HOLE USING RELEVANT HARDWARE



ROSE

INSTALLATION INSTRUCTIONS:

1. USING DOOR FOR REFERENCE, MARK CONTACT POINT OF KNOB/LEVER TO WALL.
2. USING RUBBER STOP AND ROSE, VERIFY CONTACT POINT BEFORE MOUNTING.
3. FOLLOWING MOUNTING DETAIL ABOVE PENDING MOUNTING APPLICATION.