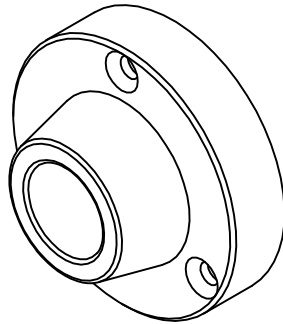
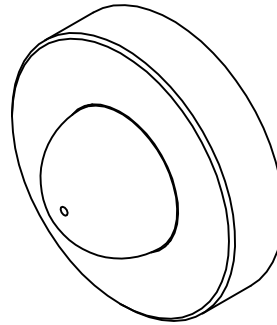


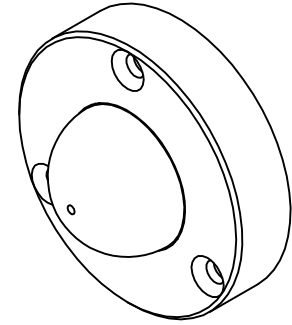
1270CV  
1270WV  
1270CVPV  
MOUNT THROUGH CENTER  
(1 SCREW)



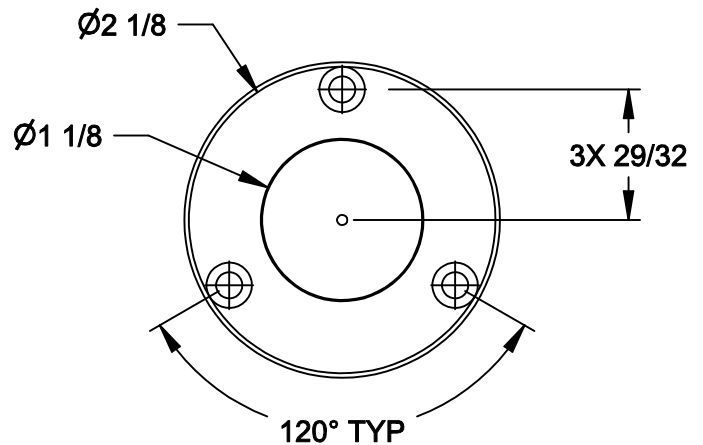
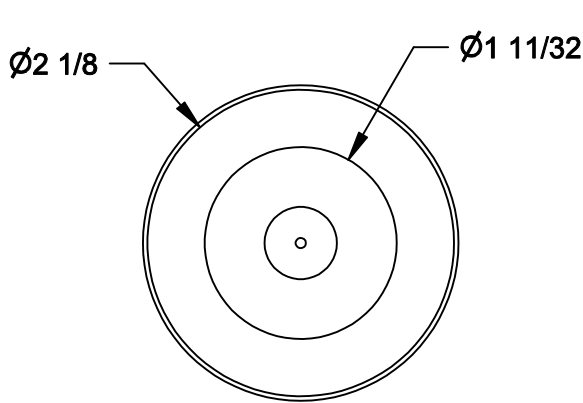
1270CVSV  
MOUNT THROUGH CENTER  
AND PERIFERY  
(4 SCREWS)



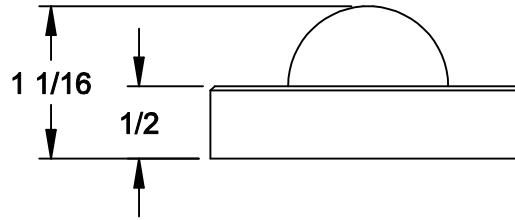
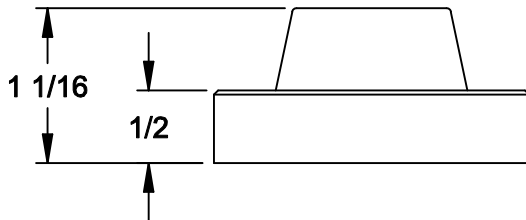
1270CX  
1270WX  
1270CXPV  
MOUNT THROUGH CENTER  
(1 SCREW)



1270CXSV  
MOUNT THROUGH CENTER  
AND PERIFERY  
(4 SCREWS)



HOLE PATTERN ON 1270CVSV AND 1270CXSV ONLY



**MOUNTING HARDWARE:**

1270CV/WV AND 1270CX/WX: #8X1-3/4 FLAT HEAD SHEET METAL SCREW, #8X7/8 PLASTIC BANTAM, #3 KWIK TOGGLE, #6-32X2 FLAT HEAD MACHINE SCREW, TOGGLE WING NUT, #10-24X1-1/4 FLAT HEAD MACHINE SCREW AND A 10-24 LEAD ANCHOR

1270CVPV AND 1270CXPV: #8X1-3/4 FLAT HEAD TORX SCREW, EXPANSION SHIELD AND ANTI-ROTATION PIN

1270CVSV AND 1270CXSV: FOUR (4) EACH OF THE FOLLOWING: #8X1-3/4 FLAT HEAD SHEET METAL SCREW AND #8X7/8 PLASTIC BANTAM

NOTE: This template is provided for use only on the job for which is was requested. Trimco reserves the right to make design changes without notice. Trimco will not be responsible for errors or damage caused by the use of out-of-date templates.

DATE

10/21/08