

TEMPLATE NO.

17139



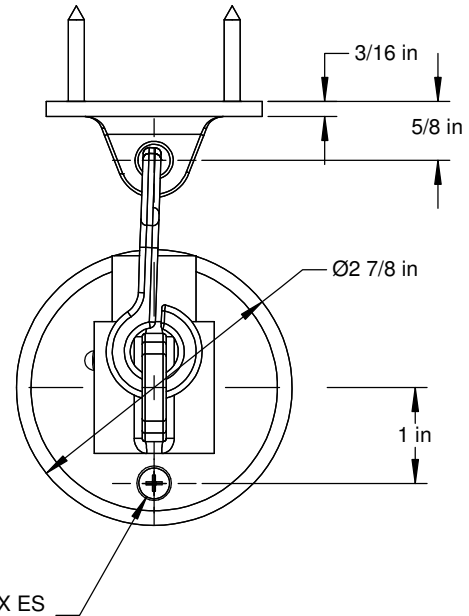
3825 Emery Street
PO Box 23277
Los Angeles, CA 90023-0277
(323) 262-4191
www.trimcobbw.com

PRODUCT

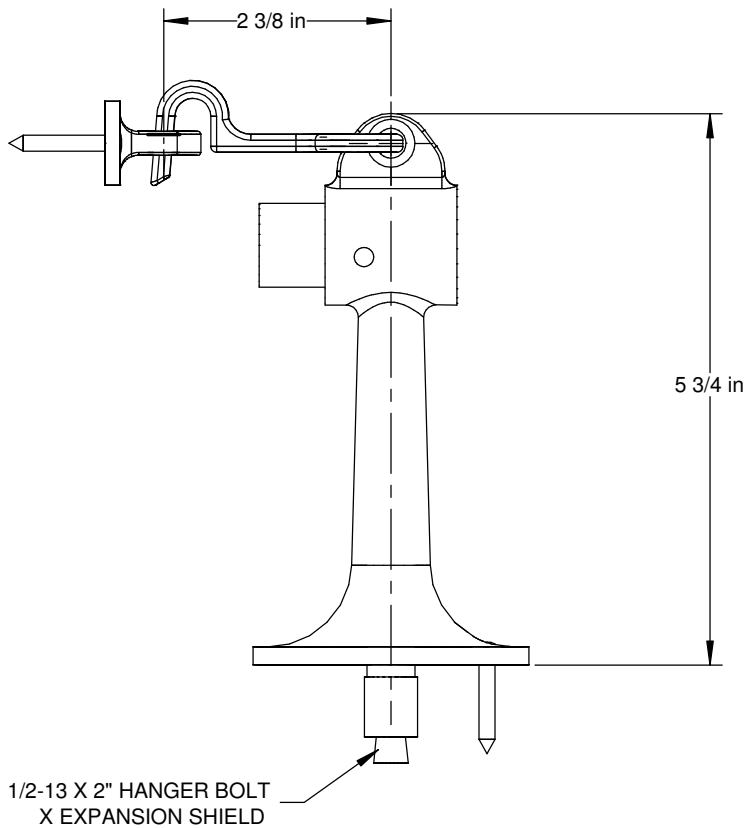
1224-5
FLOOR STOP/HOLDER

INSTALLATION INSTRUCTIONS:

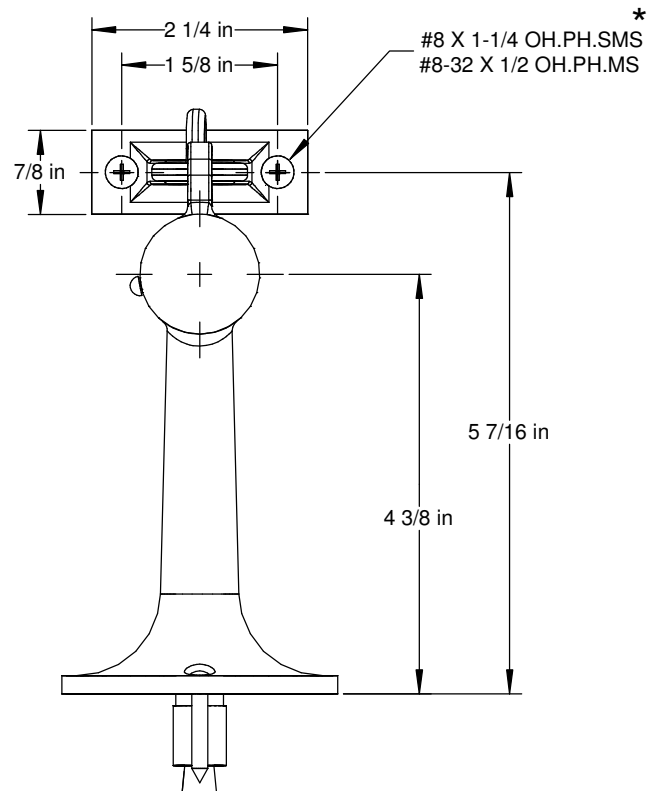
1. INSTALL HANGER BOLT INTO FLOOR.
 2. THREAD BASE ONTO HANGER BOLT.
 3. FASTEN HOLDER TO WALL AT CORRECT HEIGHT.
 4. PLACE HOOK INTO EYE OF HOLDER.
 5. FASTEN #8 SCREW INTO BASE AND FLOOR.
- * COMBINATION PACKAGED FOR CONCRETE OR WOOD APPLICATION.



* #8-32 X 1" OH.PH.MS X ES
#8 X 1-1/4 OH.PH.SMS



1/2-13 X 2" HANGER BOLT
X EXPANSION SHIELD



* #8 X 1-1/4 OH.PH.SMS
#8-32 X 1/2 OH.PH.MS

NOTE: This template is provided for use only on the job for which it was requested. Trimco reserves the right to make design changes without notice. Trimco will not be responsible for errors or damage caused by the use of out-of-date templates.

DATE

8/31/04