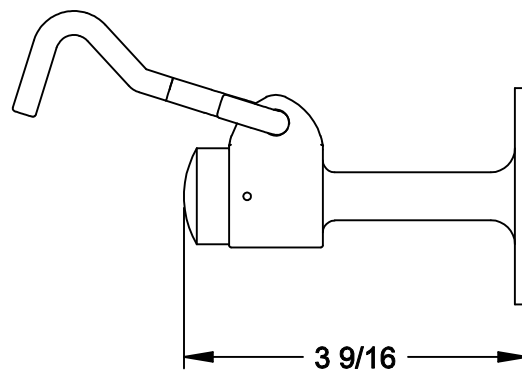
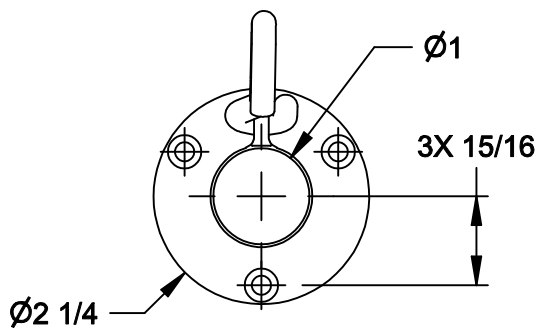
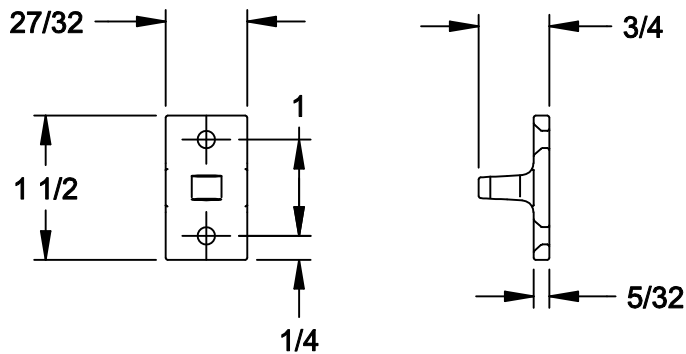


BASE STOP



LATCH PLATE



SUPPLIED WITH FIVE (5) #8 X 1-1/4" OVAL HEAD, PHILLIPS DRIVE WOOD MOUNTING SCREWS, FIVE (5) #8 X 7/8" PLASTIC BANTAMS, THREE (3) #8-32 X 1 OVAL HEAD, PHILLIPS DRIVE MACHINE SCREWS AND THREE (3) #8-32 CONCRETE LEAD ANCHORS.