

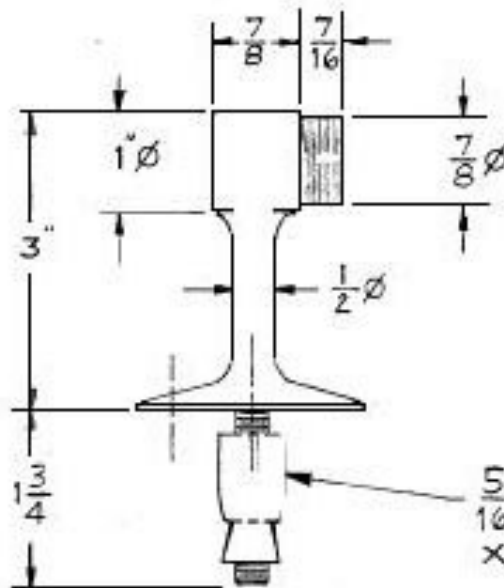
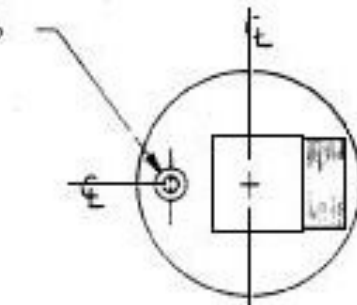
NOTES:

1. COMBINATION PACKAGED FOR  
CONCRETE OR WOOD APPLICATION

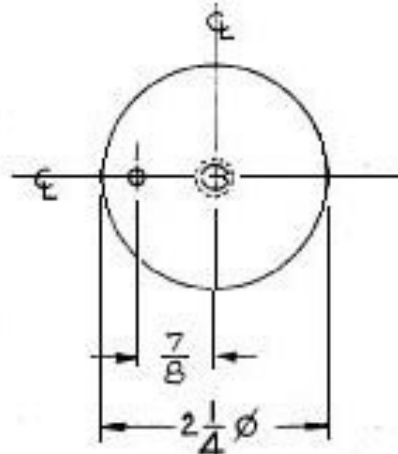
REVISIONS

LTR	DESCRIPTION	DATE	CHECKED
—	NEW DWG.	3-13-95	<i>[Signature]</i>

#8-32 x 1" OH PH MS x ES  
#8 x 1/4" OH, PH, SMS



5/16" - 18 x 2" HANGER BOLT  
x EXPANSION SHIELD



Book No.      Date Requested:  
This template is provided for use only on  
the job for which it was requested.  
Trimco/BBW reserves the right to make  
design changes without notice.

**Trimco / BBW**  
Triangle Brass Manufacturing Company, Inc.  
3528 Emery Street, P.O. Box 23277  
Los Angeles, CA 90023, USA

SCALE

Standard Tolerances Unless Otherwise Specified  
X = ±.030"    XX = ±.010"  
.XXX = ±.050"    X² = ±1/2°

TITLE

1201 (BBW #F121-X)  
FLOOR STOP

PART NO

DRAWN BY TA.      3-13-95

A | DWG. NO.      11419