



Trimco
SINCE 1949

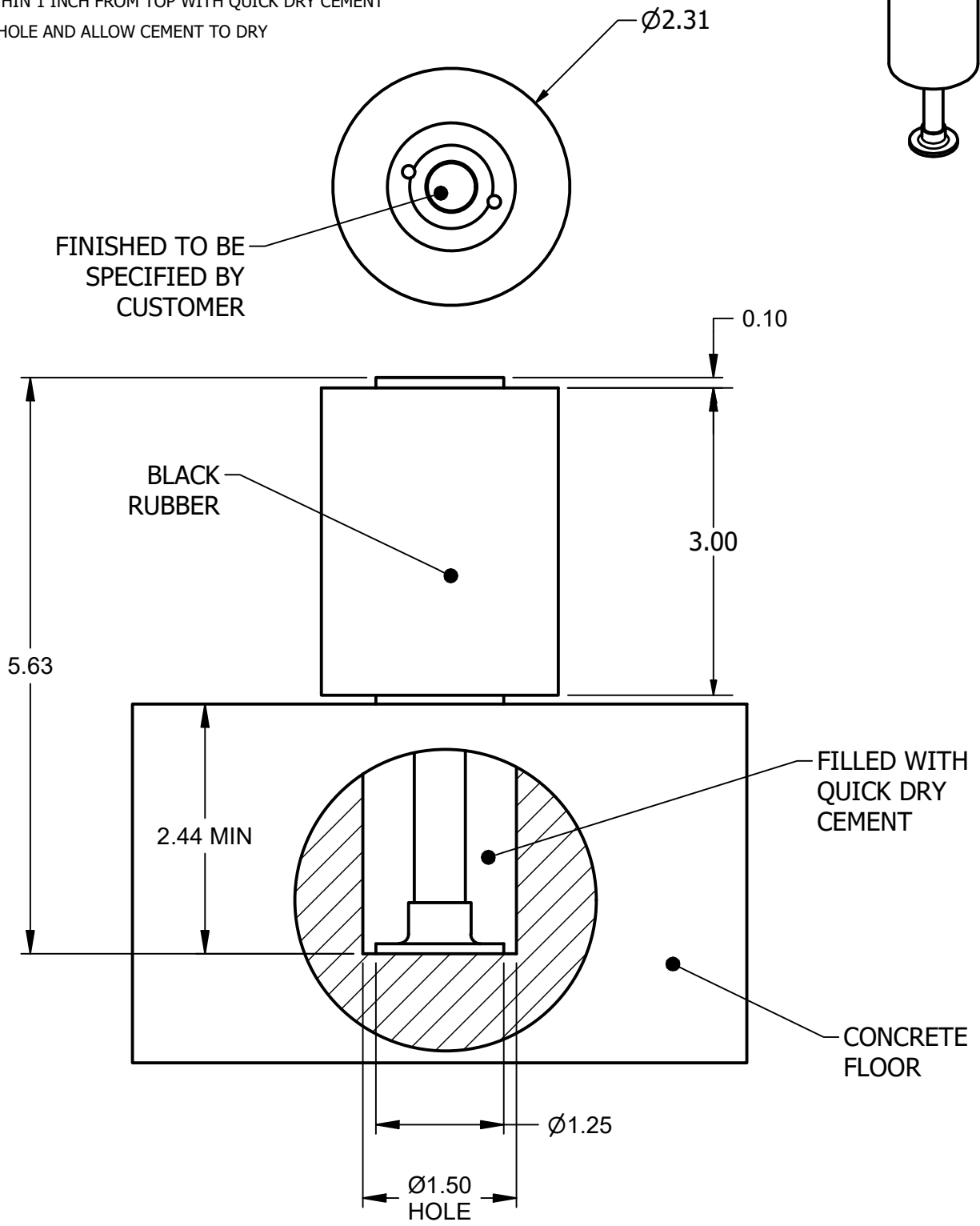
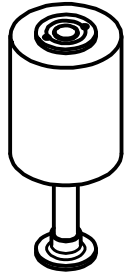
PRODUCT:

1209-3 HEAVY DUTY STOP, 3" STOP INSTALLATION
TEMPLATE

INSTALLATION

INSTALL AS ONE PIECE - **DO NOT TAKE APART**

- 1) DRILL n1-1/2" HOLE INTO FLOOR 2-7/16" DEEP OR DEEPER
- 2) FILL HOLE TO WITHIN 1 INCH FROM TOP WITH QUICK DRY CEMENT
- 3) PUSH STOP INTO HOLE AND ALLOW CEMENT TO DRY



TEMPLATE# 20889
REVISION# 02
APPROVED ON: 5/25/2023

SHEET	1 OF 1
This template is provided for use only on the job for which it was requested. Trimco reserves the right to make design changes without notice. Trimco will not be responsible for errors or damage caused by the use of out-of-date templates.	

TRIANGLE BRASS MANUFACTURING
1351 ROCKY POINT DRIVE
OCEANSIDE, CA 92056
WWW.TRIMCOHARDWARE.COM