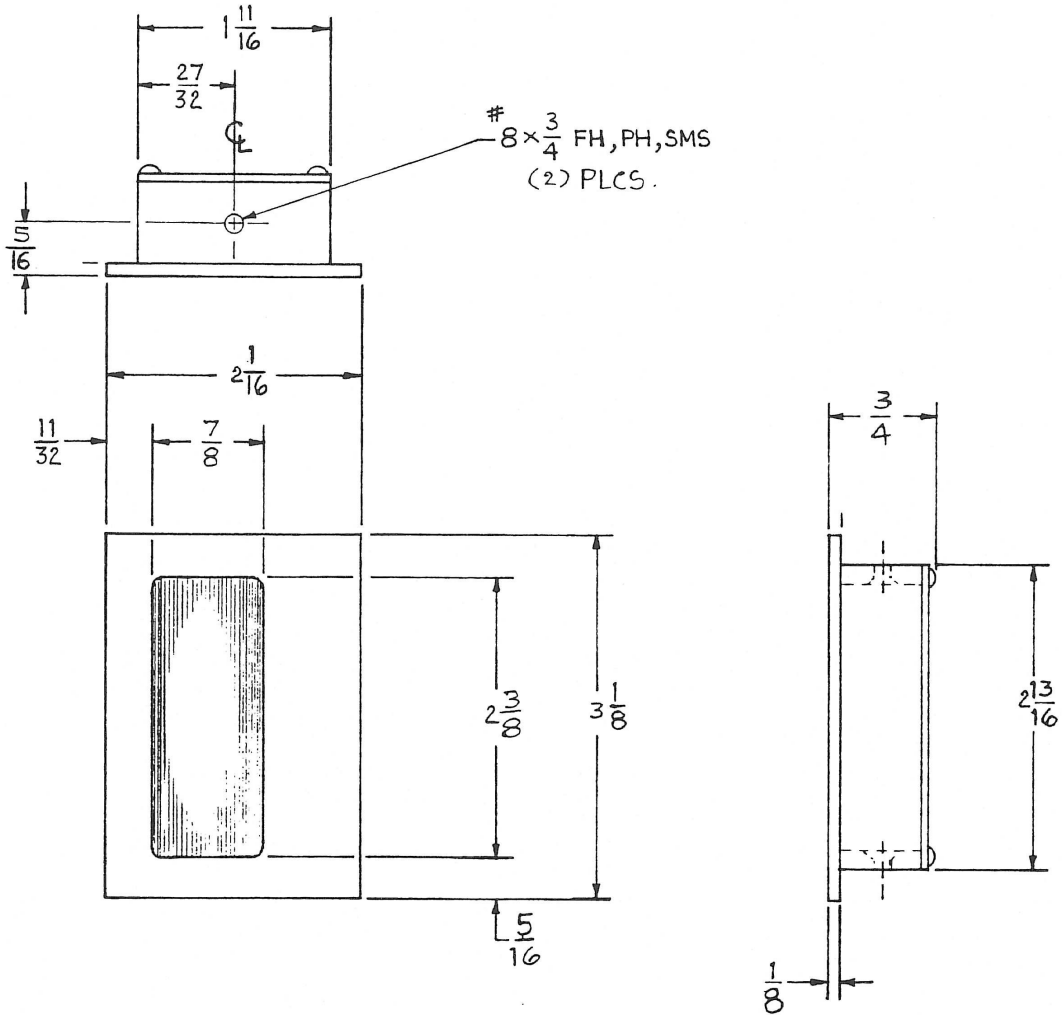


NOTES:

REVISIONS

LTR	DESCRIPTION	DATE	CHECKED
-	NEW DWG.	T.A. 12-20-94	<i>[Signature]</i>
A	REVISED.	TA 9-20-95	<i>[Signature]</i>



001117

Book No. ___ Date Requested: ___
 This template is provided for use only on
 the job for which it was requested.
 Trimco/BBW reserves the right to make
 design changes without notice.

Trimco / BBW
 Triangle Brass Manufacturing Company, Inc.
 3528 Emery Street, P.O. Box 23277
 Los Angeles, CA 90023, USA

SCALE NONE
 DRAWN BY T.A. 12-20-94

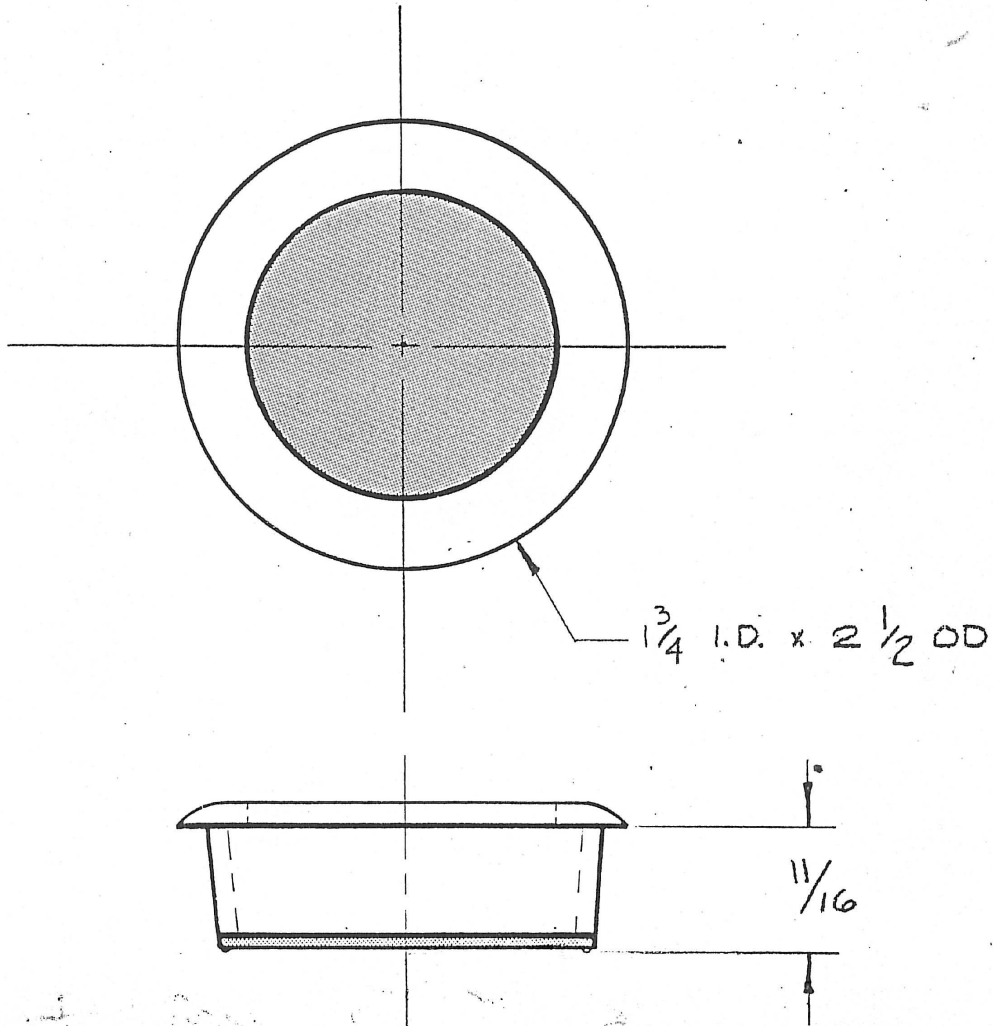
TITLE 7061 FLUSH PULL
 PART NO
 DWG. NO. 11346

NOTES:

1. PREPARE DOOR WITH 2 1/8 DIA BORE, ONE SIDE ONLY.
2. DRIVE INTO DOOR WITH RUBBER MALLET.

REVISIONS

LTR	DESCRIPTION	DATE	CHECKED
-	NEW DWG	12-19-97	<i>[Signature]</i>



Book No. 001103 Date Requested: _____
 This template is provided for use only on the job for which it was requested.
 Trimco/BBW reserves the right to make design changes without notice.

Trimco / BBW
 Triangle Brass Manufacturing Company, Inc.
 3528 Emery Street, P.O. Box 23277
 Los Angeles, CA 90023, USA

SCALE FULL

TITLE TEMPLATE - 1059 FLUSH PULL

PART. NO. 1059

DRAWN BY IJS 12-19-97

A DWG. NO. 11787