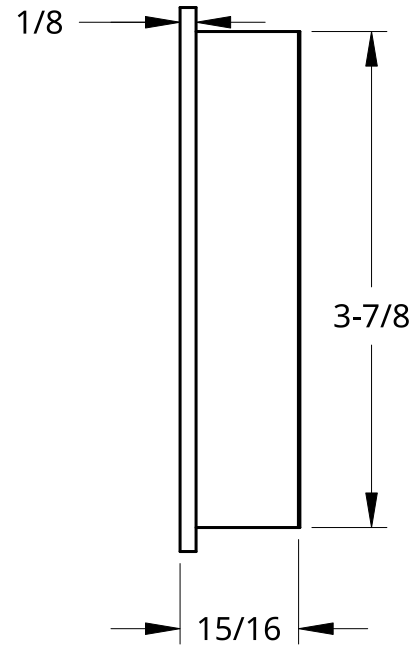
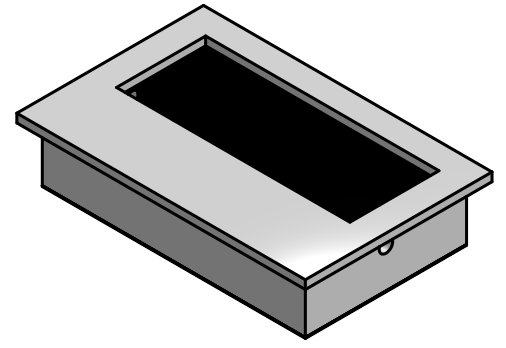
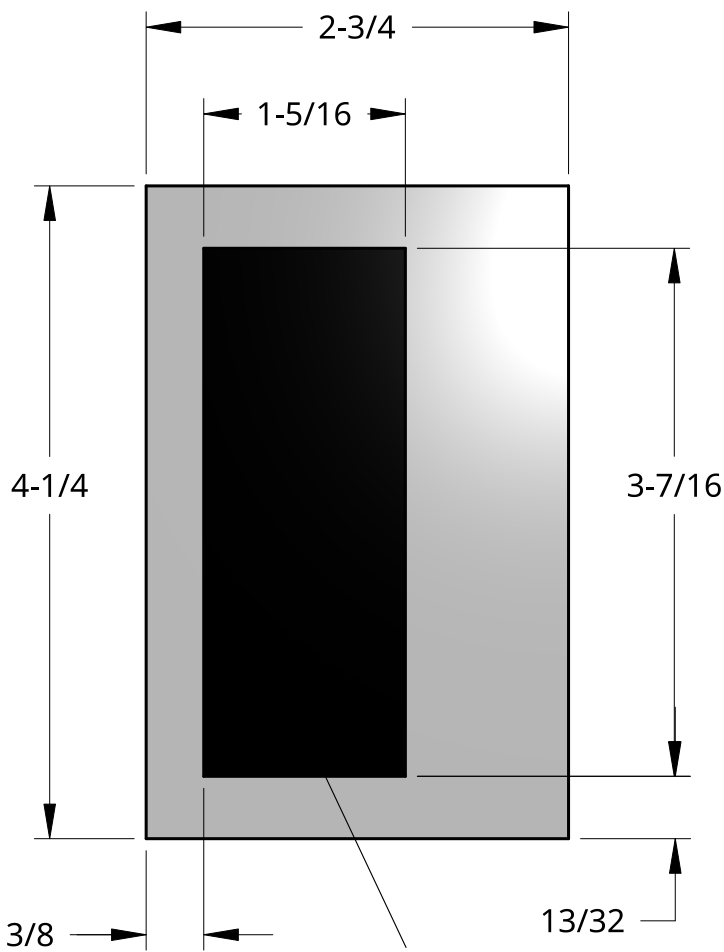


2

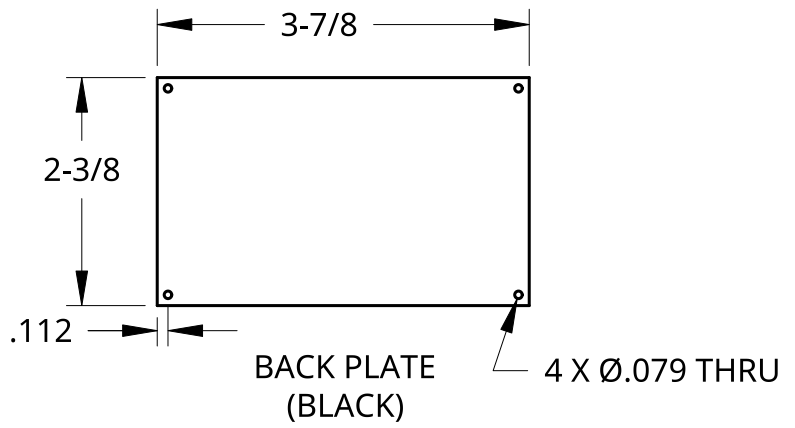
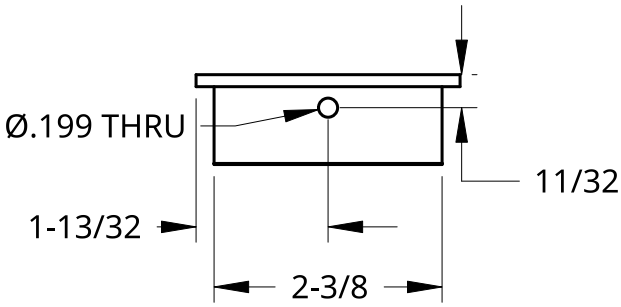
1

B

B



ALL INTERIOR BLACK



BACK PLATE (BLACK)

A

A

UNLESS OTHERWISE SPECIFIED, DIMENSIONS ARE IN INCHES .X = ±.03 .XX = ±.015 .XXX = ±.005 SURFACE FINISH <input checked="" type="checkbox"/> DO NOT SCALE DRAWING BREAK ALL SHARP EDGES AND REMOVE BURRS THIRD ANGLE PROJECTION 		NAME	DATE
	DRAWN	ANDRES RODRIGUEZ	12/22/2020
	CHECKED		
	APPROVED		
	MATERIAL	N/A	FINISH



TITLE			
7060 FOCAL FLUSH PULL			
SIZE	DWG NO.	REV	
A	90113	01	
SCALE	WEIGHT	SHEET	
1:2		1 of 1	

2

1