

**1283 Series**

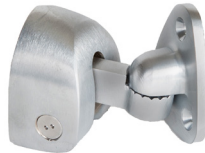
# Adjustre Stops & Holders



1283-2S SHOWN



1283-4S SHOWN



1283-6S SHOWN

The patented Trimco **1283 Adjustre Series** is the only self-adjusting door holder manufactured. With a strike made of solid brass or bronze and featuring spring-loaded ball bearings allowing for tension adjustability. These unique stops and holders are self-adjusting to compensate for up to 1/2" of vertical door sag. Multiple options for floor and wall strikes are also available as well as a lockable version for use with a padlock (i.e. school gymnasium).

## APPLICATIONS

- K-12 Schools
- Universities & Higher Education
- Hospitals & Healthcare Facilities
- Prisons & Detention Facilities
- Government & Military Facilities
- Hospitality

## DOOR, WALL & FRAME PROTECTION

### PRODUCT FEATURES

- Strike is gripped by hardened 1/2" diameter ball bearings.
- Self-adjusting for door sag up to 1/2".
- Gripping tension is adjustable with easy-to-reach security screws.
- Rugged thru-bolt attachment from back side of door.
- Concealed tamper-proof rubber cushion.
- Variety of strikes available: standard and custom height floor strikes, rigid and adjustable wall strikes.
- 1283LS is designed for use with a padlock to lock the door in the open position.

### SPECIFICATIONS

#### STANDARDS

BHMA L01301

#### MATERIAL OPTIONS

**BR** – Brass  
**BZ** – Bronze  
**PL** – Chrome Plated Brass  
 or Bronze Castings

#### SERIES

**1283-2S** Adjustre Floor Stop & Holder  
**1283-4S** Adjustre Wall Stop & Holder, Wall Strike  
**1283-6S** Adjustre Wall Stop & Holder, Adjustable Wall Strike  
**1283LS** Adjustre Floor Stop & Holder, Lockable

#### FASTNERS

Machine screws for door and machine screws with anchors for strike.

#### WARRANTY

Lifetime Mechanical & Limited Finish Warranty

#### NOTES

Patent #3,129,024

### FINISHES

|      |   |
|------|---|
| 605  | Polished Brass                                  |
| 606  | Satin Brass, Dull                               |
| 609  | Satin Brass and Black                           |
| 610  | Satin Brass, Black Relieved                     |
| 611  | Polished Bronze                                 |
| 612  | Satin Bronze                                    |
| 613  | Oil Rubbed Bronze                               |
| 616  | Satin Bronze, Black Relieved                    |
| 619  | Satin Nickel Plated, Clear                      |
| 620  | Satin Nickel Plated, Blackened (Antique Nickel) |
| 622  | Satin Black                                     |
| 625  | Polished Chrome                                 |
| 626  | Satin Chrome                                    |
| SPEC | Special Options Available                       |

**1283 Series**

# Adjustre Stops & Holders

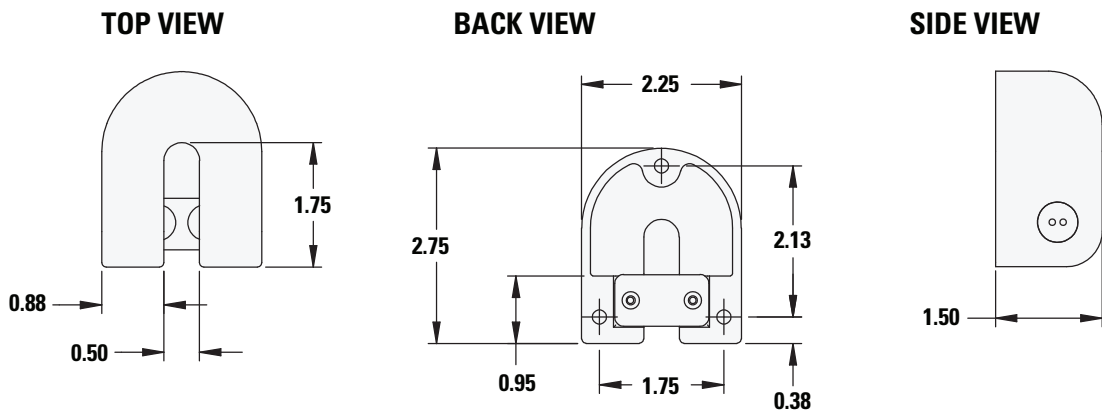
## HOW TO SPECIFY & ORDER

### CHOOSE THE FOLLOWING

| SERIES   | FINISHES   |
|--|--|
| <ul style="list-style-type: none"> <li>• <b>1283-2S</b> Adjustre Floor Stop &amp; Holder</li> <li>• <b>1283-4S</b> Adjustre Wall Stop &amp; Holder, Wall Strike</li> <li>• <b>1283-6S</b> Adjustre Wall Stop &amp; Holder, Adjustable Wall Strike</li> <li>• <b>1283LS</b> Adjustre Floor Stop &amp; Holder, Lockable</li> </ul> | <ul style="list-style-type: none"> <li>• <b>605</b> Polished Brass</li> <li>• <b>606</b> Satin Brass</li> <li>• <b>609</b> Satin Brass and Black (Antique Brass)</li> <li>• <b>610</b> Satin Brass, Black Relieved</li> <li>• <b>611</b> Polished Bronze</li> <li>• <b>612</b> Satin Bronze</li> <li>• <b>613</b> Oil Rubbed Bronze</li> <li>• <b>616</b> Satin Bronze, Black, Relieved</li> <li>• <b>619</b> Satin Nickel Plated, Clear Coated</li> <li>• <b>620</b> Satin Nickel Plated, Blackened (Antique Nickel)</li> <li>• <b>622</b> Satin Black</li> <li>• <b>625</b> Polished Chrome</li> <li>• <b>626</b> Satin Chrome</li> <li>• <b>SPEC</b> Special Options Available</li> </ul> |

### EXAMPLE

Example: For a satin chrome Adjustre Wall Stop with an adjustable wall strike, specify or order: **1283-6S.626**



\* Dimensions are informational only. Templates are available at [www.trimcohardware.com](http://www.trimcohardware.com)